

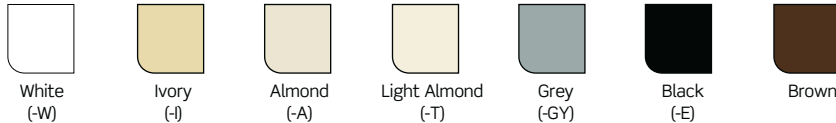
Residential Grade

Residential Grade Receptacles

Leviton's comprehensive Residential Grade Receptacles portfolio includes devices rated for all residential applications in a variety of standard configurations. They are produced in an array of colors in both Decora® and traditional styles.



COLORS



Decora® Quickwire and Side Wired Receptacles

Specifications and Features

Decora Quickwire and Side Wired Receptacles

- Terminal screws accept up to No. 12 AWG copper or copper-clad wire
- Quickwire push-in terminals accept No. 14 AWG solid copper wire only
- Double-wipe power contacts for reliable conductivity and plug retention
- Heavy-gauge zinc-plated steel mounting strap
- Limited Two-Year Warranty



Tamper-Resistant Receptacles

- Shutter mechanism inside the receptacle blocks access to the contacts unless a two-prong plug is inserted, helping ensure hairpins, keys, etc., will be locked out
- TR symbol on residential receptacles assures they meet the 2008 NEC requirement
- Ultrasonic welding, heavy-duty construction offers long, trouble-free service life

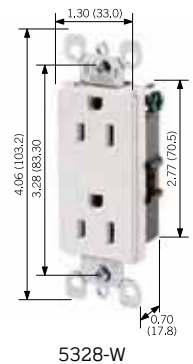
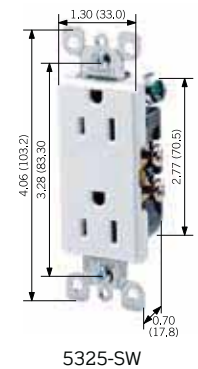
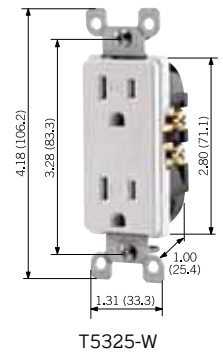
20 Amp

- Terminal Screw accepts up to No. 10 AWG Cooper

DECORA QUICKWIRE AND SIDE WIRED RECEPTACLES  

Description	Color	Cat. No.	Cat. No.
NEMA			
		5-15R	5-20R
Rating		15A-125V	20A-125V
Duplex, Tamper Resistant	White	T5325-W	
	Ivory	T5325-I	
	Almond	T5325-A	
	Light Almond	T5325-T	
	Grey	T5325-GY	
	Black	T5325-E	
	Brown	T5325	
Duplex, Tamper Resistant, self-grounding*	White	T5325-SW	
	Ivory	T5325-SI	
	Light Almond	T5325-ST	
Duplex	White	5325-W	
	Ivory	5325-I	
	Almond	5325-A	
	Light Almond	5325-T	
	Grey	5325-GY	
	Black	5325-E	
	Brown	5325	
Duplex, self-grounding*	White	5325-SW	
	Ivory	5325-SI	
	Light Almond	5325-ST	
Duplex, 8-hole Quickwire	White	5328-W	
	Ivory	5328-I	
	Almond	5328-A	
Duplex Tamper Resistant, Self-grounding*, No Quickwire	White		T5825-W
	Ivory		T5825-I
	Light Almond		T5825-T
	Grey		T5825-GY
	Black		T5825-E
	Brown		T5825

*Self-grounding when installed in a properly grounded metal wallbox.



TESTING AND CODE COMPLIANCE

- UL Listed (File# E-13399)
- CSA Certified (File #LR-406)
- NOM Certified (File #057)

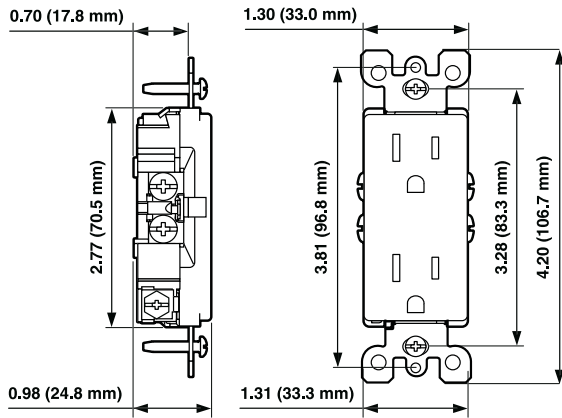
MATERIAL CHARACTERISTICS

Environmental: Flammability, UL-94, Rated V2
 Operating Temperature: -40°C to 60°C

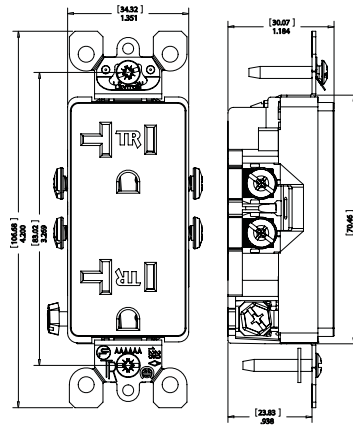
Residential Grade

DIMENSIONS

Decora Receptacle



Decora Tamper-Resistant 20A Receptacle



Quickwire Push-In and Side Wired Receptacles

Specifications and Features

Quickwire Push-In and Side Wired Receptacles

- Terminal screws accept up to No. 12 copper or copper-clad wire
- Quickwire push-in terminals accept No. 14 solid copper wire only
- Double-wipe power contacts for maximum conductivity and plug retention
- Thermoplastic construction
- Heavy-gauge, rust-resistant steel mounting strap
- Shallow design for maximum wiring room
- Break-off plaster ears for best flush alignment
- Captive mounting screws
- Break-off tabs allow easy two-circuit conversion



Tamper-Resistant Receptacles

- Shutter mechanism inside the receptacle blocks access to the contacts unless a two-prong plug is inserted, helping ensure hairpins, keys, etc., will be locked out
- TR symbol on residential receptacles assures they meet the 2008 NEC requirement
- Ultrasonic heavy-duty construction offers long, trouble-free service life

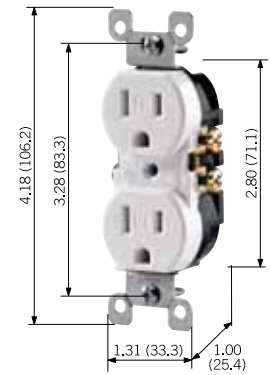
20 Amp

- Terminal Screw accepts up to No. 10 AWG Cooper

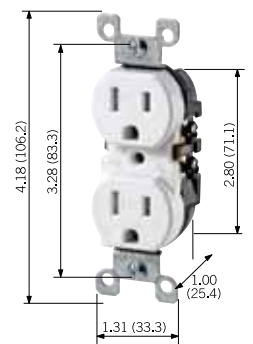
QUICKWIRE PUSH-IN AND SIDE WIRED RECEPTACLES  

Description	Color	Cat. No.	Cat. No.
NEMA		 5-15R	 5-20R
Rating		15A-125V	20-125V
Duplex, Tamper-Resistant	White	T5320-W	
	Ivory	T5320-I	
	Almond	T5320-A	
	Light Almond	T5320-T	
	Black	T5320-E	
	Brown	T5320	
Duplex, Tamper Resistant, self-grounding*	White	T5320-SW	
	Ivory	T5320-SI	
	Light Almond	T5320-ST	
Duplex, Tamper Resistant and Weather Resistant	White	W5320-TW	
	Gray	W5320-TG	
Duplex	White	5320-W	
	Ivory	5320-I	
	Almond	5320-A	
	Light Almond	5320-T	
	Black	5320-E	
	Brown	5320	
Duplex, self-grounding*	White	5320-SW	
	Ivory	5320-SI	
	Almond	5320-SA	
	Light Almond	5320-ST	
	Brown	5320-S	
Duplex, 8-hole Quickwire with ground screw	White	5248-W	
	Ivory	5248-I	
	Brown	5248	
Duplex Tamper Resistant, Self-grounding*, No Quickwire	White		T5820-W
	Ivory		T5820-I
	Light Almond		T5820-T
	Grey		T5820-GY
	Black		T5820-E

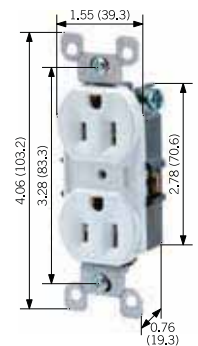
*Self-grounding when installed in a properly grounded metal wallbox.
CSA Certified except where indicated by†.
NOTE: Please consult factory for duplex receptacles, less plaster ears.



T5320-WR

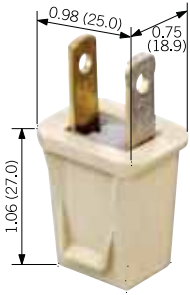


W5320-WR



5428-W

Residential Grade



223-I



688-W

Side Wired

Description	Color	Cat. No.	Cat. No.
NEMA			
		5-15R	1-15R
Rating		15A-125V	15A-125V
Duplex, on 4" Cover	Brown	1228	
CO/ALR Duplex,	White	12650-W	—
UL Listed for direct connection to No. 12 or No. 10 aluminum conductors	Ivory	12560-I	—
Duplex, non-grounded, plastic ears*	White	—	223-W
	Ivory	—	223-I
	Brown	—	223
Duplex, T-Slot, non-grounded (not UL listed; for replacement use only)*	Ivory	—	5000
Clock Hanger, Flush Mount with Square Recess with ground screw	White	688-W	—
	Ivory	688-I	—

CSA Certified except where indicated by *.

TESTING AND CODE COMPLIANCE

- UL Listed 498
- CSA Certified (File #LR-406)
- NOM Certified (File #057)
- Meets or exceeds NEMA standards
- CO/ALR UL Listed 1561

MATERIAL CHARACTERISTICS

Environmental: Flammability, UL-94, Rated V2
Operating Temperature: -40°C to 65°C

223 & 5000

Environmental: Flammability, UL-94, Rated V2
Operating Temperature: -40°C to 60°C



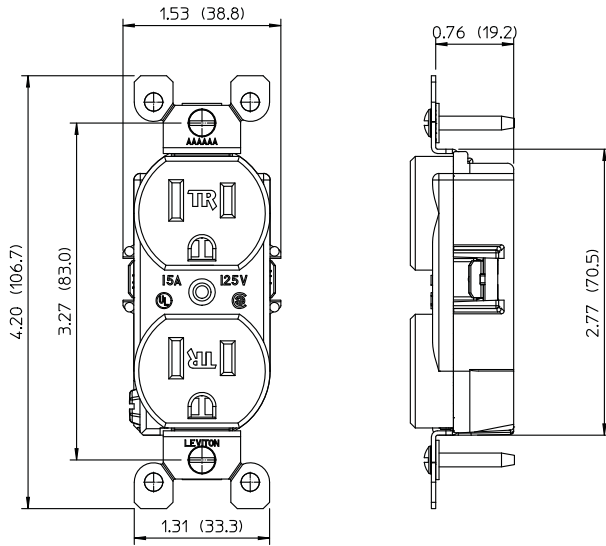
Related Products

Leviton also offers superior quality recessed devices.

See page 98 for more information.

DIMENSIONS

Tamper-Resistant 15A Receptacle



Tamper-Resistant 20A Receptacle

