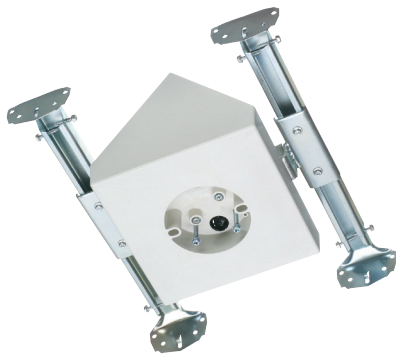


Fan & Fixture Mounting Box with Adjustable Brackets for New Construction

Mounts fans and fixtures on cathedral ceilings between two framing members for perfect centering within room.



FEATURES AND BENEFITS

- Expandable brackets hold box securely between joists – no need to cut and nail 2x4s to center the fan or fixture
- Allows fans/fixtures to be perfectly centered within room
- Large, 8" square mounting surface handles newer fans with larger canopies
- No loose parts to misplace – totally self-contained!
- Installs quickly and securely
- Includes a template to level and position brackets between rafters
- Taller sides fit cathedral ceilings with angles greater than 80°
- Paintable, textured finish
- Fan/fixture installation screws are **parked**...ready for easy fan/fixture bracket installation!
- UL rated: 70 lb. fan/fixture; CSA rated: 50 lb. fan/fixture

Scan For Video



CATALOG NUMBER	UPC/DCI/NAED MFG #018997	DESCRIPTION / STYLE	UNIT PKG	STD PKG	DIM A	DIM B
FBX900	75224	Adjustable. Fits Cathedral Ceilings 80° or Greater, 14.5 Cu. In.	1	1	2.300	13.200

For fan/fixture BOX information, refer to FB900 on page R-15.

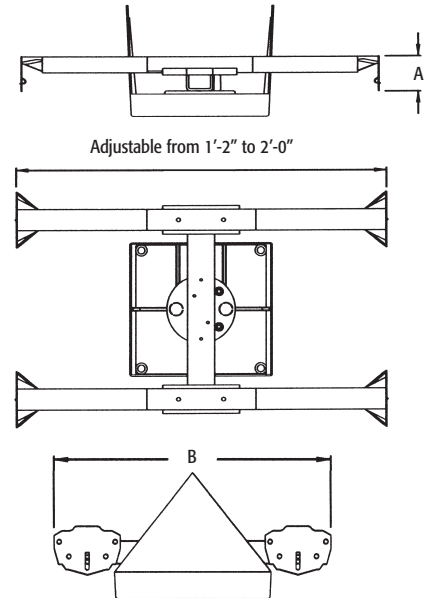
Refer to chart on page R-18 for load ratings and number of single conductors.

PATENTED.



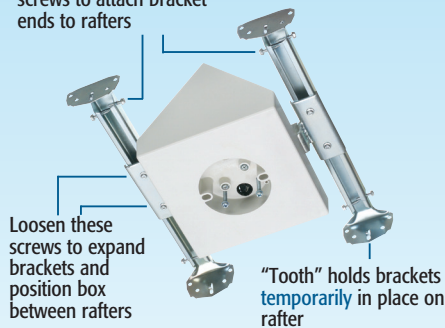
FBX900 includes...

Expandable brackets with mounting screws, screws to adjust box position, mounting block with built-in electrical box, installed NM94 cable connector, and two parked-in-place fan/fixture bracket installation screws (ready for installer).

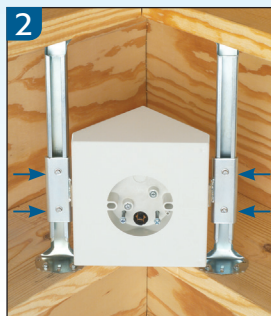


Installation Instructions

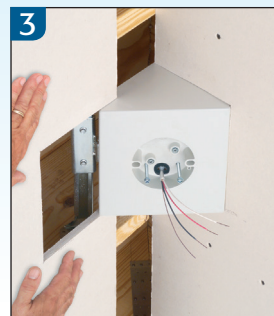
Remove and use these screws to attach bracket ends to rafters



For proper fan/fixture installation, use supplied template to level and position brackets between rafters. Remove captive screws on sides of brackets and use to attach FBX900 assembly to rafters.



Loosen the screws noted above. Slide box to center it between rafters. Tighten screws. Install wires.



Cut and position drywall to fit around the box. (Note: captive screws in box.) Install fan or fixture per manufacturer's instructions using captive installation screws.

Note: Install fan or fixture (not included) in accordance with manufacturer's instructions and all local applicable electrical codes, using the parked screws provided.