

## Low Profile IN BOX™ for New Vinyl Siding Construction

One-piece, recessed electrical box with weatherproof-in-use extra-duty cover for new siding applications. Non-metallic cover and base. Accepts most single gang wiring devices and uses standard indoor wall plates or a GFCI cover plate. Box and white cover are textured/paintable. UV rated plastic for long outdoor life.



### FEATURES AND BENEFITS

- IN BOX's one-piece assembly replaces the installation of an electrical box, siding block, and bubble cover assembly
- Installs in the wall, so less of it shows outside
- Outer flange covers cut ends of siding
- Install option: Cover is removable for easier device installation
- No gaskets required



Bug Plugs ship installed in all IN BOX styles to seal unused cord hole openings.

CATALOG NUMBER	UPC/DCI/NAED MFG #018997	ORIENTATION/COVER COLOR	SIDING TYPE	UNIT PKG	STD PKG	DIM A	DIM B	DIM C	DIM D	DIM E
DBVS1C	14317	Vertical/Clear	All Types	1	4	9.058	7.012	5.160	1.313	2.879
DBVS1W	14318	Vertical/White	All Types	1	4	9.058	7.012	5.160	1.313	2.879
DBHS1C	77600	Horizontal/Clear	All Types	1	4	7.012	9.058	5.160	1.313	2.879
DBHS1W	77602	Horizontal/White	All Types	1	4	7.012	9.058	5.160	1.313	2.879

Add suffix "GC" to Catalog # when ordering in Canada, for example DBVS1CGC.

Replacement covers available on page K-17.

2-Gang style available on page K-8.

**PATENTED. ADDITIONAL PATENTS PENDING.**



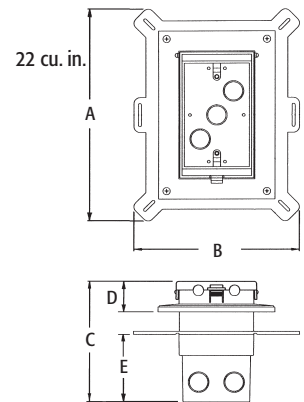
E170558 LR49636

**WEATHERPROOF-IN-USE**

**EXTRA-DUTY**

IN BOX for new siding includes...

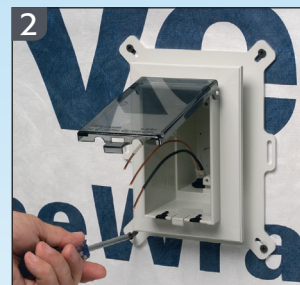
Box with weatherproof-in-use extra-duty cover; installed bug plugs; (1) standard duplex and (1) standard GFCI face plate; installation screws; and (1) NM cable connector.



### Installation Instructions



1 Cut a 3-1/4" x 5-1/2" hole in substrate. Pull wiring.



2 Install NM cable connector and wire, attach IN BOX to substrate.



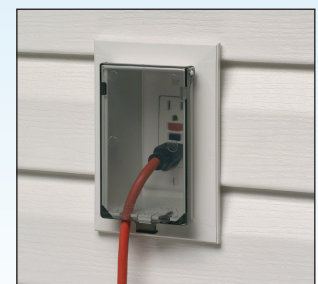
3 Install siding, inserting the cut ends of the siding under the outer flange of the IN BOX.



4 Install wiring device per manufacturer's instructions, Local and National Electrical Codes.



Accepts most single gang wiring devices and uses a standard indoor wall plate.



Completed installation with weatherproof-in-use cover. DBVS1C shown.

**Note:** Meets 2014 NEC Section 406.9; for the protection of exterior outlets which require the use of an extra-duty weatherproof while-in-use cover for all outdoor 15 or 20 AMP receptacles.

Scan For Video

