

Industrial Grade Manual Motor Controllers “Suitable as Motor Disconnect”

30A and 40A Motor Starter Switches for Single Phase and Three Phase Applications

Leviton's line of industrial grade AC Manual Motor Controllers provide safe, reliable control of a variety of motor loads. Typical applications include manual ON/OFF switching control of bottling lines, pumping machines, air compressors and other heavy manufacturing equipment. These Motor Controllers are available for both single-phase and three-phase applications, with a continuous current rating at all voltages up to 600V AC and maximum horsepower ratings of 20HP.

In addition, they are listed UL 508 “Suitable as Motor Disconnect”. This also provides for lowering facility costs (when compared to installation of UL98 Disconnect Switches).

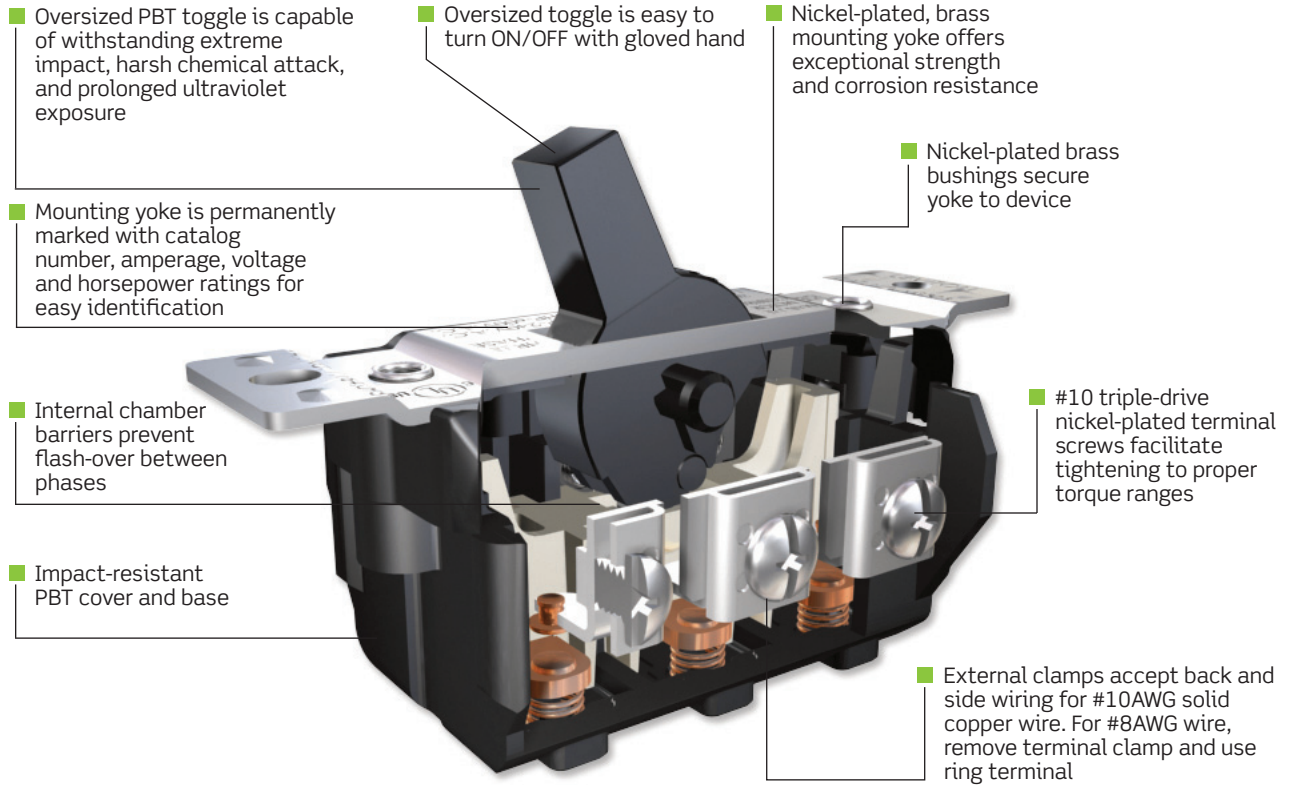


Features include:

- All molded parts are thermoplastic to resist impact, chemicals, temperature, tracking and arcing
- Cam-driven mechanism enhances fast-make/slow-break
- Silver- Alloy contacts for maximum conductivity and service life
- External clamps accept back and side wiring
- Insulating barrier between terminals provide isolation between phases
- Nickel-plated brass mounting yoke for superior strength and corrosion resistance
- Oversized toggle provides positive actuation, even with gloved hand
- Backed by a Limited Ten-Year Warranty

Leviton Manual Motor Controllers are available as either single switches or with enclosures. Available enclosures include Type 1 Thermoplastic, Type 1 Powder-Coated Metal, or Type 3R Powder-Coated Metal.

AC Manual Motor Controller Features



Specifications

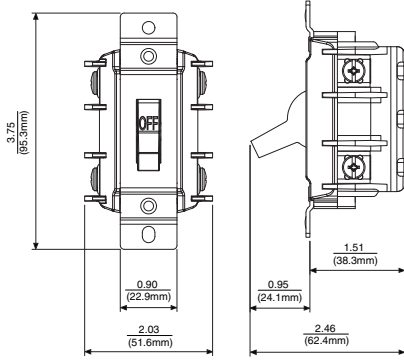
Electrical Specifications	
Dielectric Voltage-Withstand	2200V AC for 1 minute
Overload	50 cycles at 6 times full rated current
Temperature Rise	50°C maximum at full rated current
Endurance	6000 cycles of inductive motor type load
Short Circuit Rating (Motor Disconnect)	10,000 RMS symmetrical amps at 600V AC max. when protected by a 30 A time delay fuse
Material Specifications	
Mounting Yoke	Nickel-Plated Brass
Base	PBT Polyester
Cover	PBT Polyester
Toggle	PBT Polyester
Contacts	Silver-Alloy
Terminal Screws	Nickel-Plated Brass
Assembly	Nickel-Plated Brass Bushings

Mechanical Specifications	
Terminal Identification	T1, T2, T3, L1, L2 & L3 marked on back of device
Terminal Accommodation	#10 AWG, #8 AWG (with ring terminal)
Product Identification	Ratings are permanently stamped on device strap
Torque	20 inch-pounds
Environmental Specifications	
Flammability	UL94 V-0
Operating Temperature	-40°C to 60°C
Standards Specifications	
NEMA	WD1 & WD6
ANSI	C-73
UL 508	File #E63969
cUL per CSA C22.2 No. 111	File #E63969
NOM	057

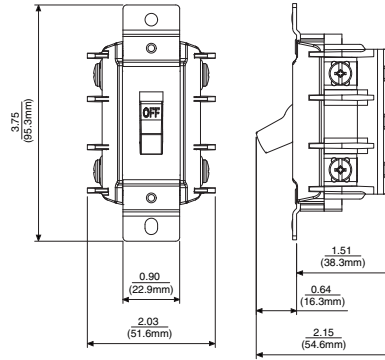
10 YEAR LIMITED
WARRANTY

Dimensions

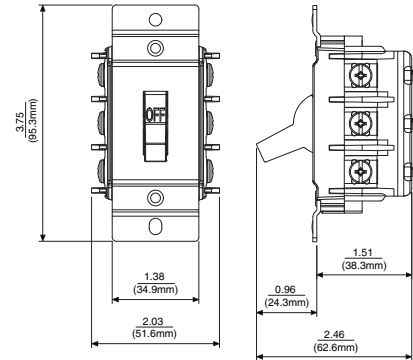
Cat. No. MS302-DS
(dimensions are same for MS303-DS)



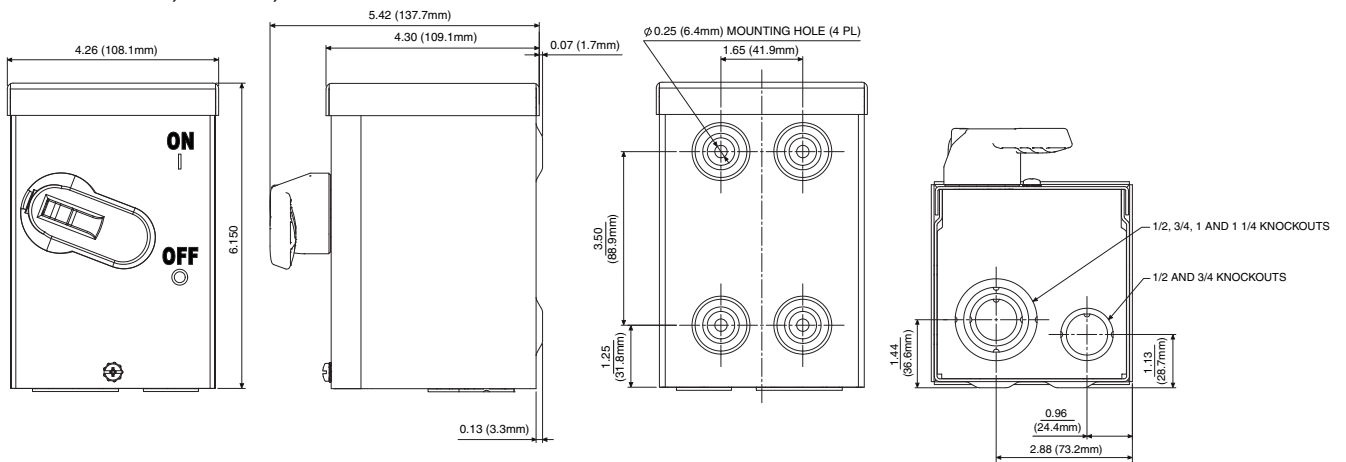
Cat. No. MS302-DSS
(dimensions are same for MS303-DSS)



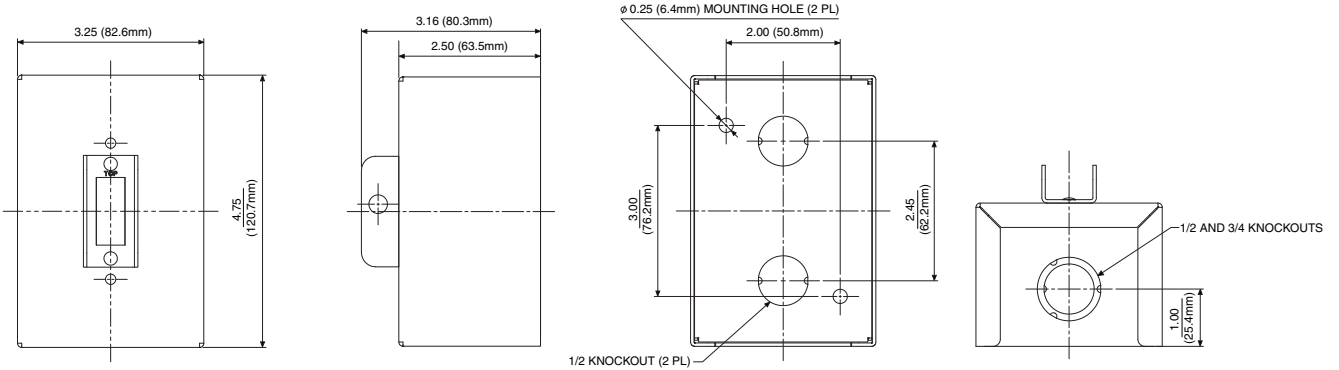
Cat. No. MS403-DS
(dimensions are same for MS402-DS)



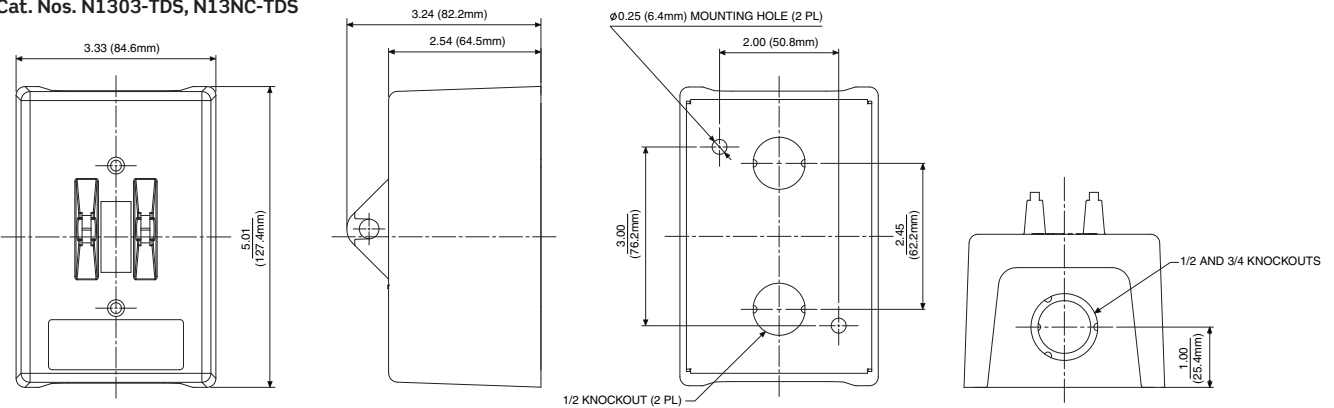
Cat. Nos. N3302-DS, N3303-DS, N33NC-DS



Cat. Nos. N1302-DS, N1303-DS, N13NC-DS



Cat. Nos. N1303-TDS, N13NC-TDS



Ordering Information

Cat. No.	Description	AC Horsepower Rating (HP)			
		120V	240V	480V	600V
MS302-DS	30 AMP, 600V AC, 2-Pole, 1Ø, Standard Toggle	2	5	10	15
MS302-DSS	30 AMP, 600V AC, 2-Pole, 1Ø, Short Toggle	2	5	10	15
MS303-DS	30 AMP, 600V AC, 3-Pole, 3Ø, Standard Toggle	3	7 ½	15	20
MS303-DSS	30 AMP, 600V AC, 3-Pole, 3Ø, Short Toggle	3	7 ½	15	20
MS402-DS	40 AMP, 600V AC, 2-Pole, 1Ø, Standard Toggle	2	5	10	15
MS403-DS	40 AMP, 600V AC, 3-Pole, 3Ø, Standard Toggle	3	7 ½	15	20
N1302-DS	Type 1 Metal Enclosure with MS302-DS Switch	2	5	10	15
N1303-DS	Type 1 Metal Enclosure with MS303-DS Switch	3	7 ½	15	20
N1303-TDS	Type 1 Enclosure with Thermoplastic Cover and MS303-DS Switch	3	7 ½	15	20
N3302-DS	Type 3R Metal Enclosure with MS302-DS Switch	2	5	10	15
N3303-DS	Type 3R Metal Enclosure with MS303-DS Switch	3	7 ½	15	20
N13NC-DS	Type 1 Metal Enclosure Only (Use only with 30A Motor Starter Switches listed above)	See switch ratings above			
N13NC-TDS	Type 1 Thermoplastic Enclosure Only (Use only with 30A Motor Starter Switches listed above)	See switch ratings above			
N33NC-DS	Type 3 Metal Enclosure Only (Use only with 30A or 40A Motor Starter Switches listed above)	See switch ratings above			

Leviton Manufacturing Co., Inc.

201 North Service Road, Melville, NY 11747

Telephone: 1-800-323-8920 • FAX: 1-800-832-9538 • Tech Line (8:30AM-7:30PM E.S.T. Monday-Friday): 1-800-824-3005

Leviton Manufacturing of Canada, Ltd.

165 Hymus Boulevard, Pointe Claire, Quebec H9R 1E9

Telephone: 1-800-469-7890 • FAX: 1-800-563-1853

Leviton S. de R.L. de C.V.

Lago Tana 43, Mexico DF, Mexico CP 11290

Tel. (+52) 55-5082-1040 • Fax: (+52) 55-5386-1797 • www.leviton.com.mx

Leviton Manufacturing of Dubai, Ltd.

J/Ali Free Zone, View 19 7th Floor, Office 701 • PO Box 262742 Dubai, UAE

Tel: +971 4 886 4722 • Fax: +971 4 886 4723

Visit our Website at: www.leviton.com email: industrial@leviton.com

© 2009 Leviton Manufacturing Co., Inc. All rights reserved.

