

# N3603



**UPC Code:** 07847710186

**Country of Origin:** Mexico - \*Eligible for ARRA funded projects > \$7,443,000



## Manual Motor Controllers

### Brand Features

Leviton's Industrial Grade AC Manual Motor Starter Switches provide safe, reliable control of a variety of motor loads. Typical applications include manual ON/OFF switching control of bottling lines, pumping machines, air compressors and other heavy manufacturing equipment. These motor controllers are available for both single-phase and three-phase applications. Leviton uses the finest materials available and the highest production standards to produce industrial switches of unmatched versatility and reliability.

### Item Description

60 Amp, 600 Volt, Toggle In Type 3R Enclosure Three-Pole AC Motor Starting Switch, Industrial Grade, Grounded To Enclosure, Front Wired, - Grey

### Technical Information

#### AC Horsepower Ratings

**HP Rating:** 10HP-240V 25HP-480V 30HP-600V

#### Electrical Specifications

**Grounding:** Non-Grounding

**Amperage:** 60 Amp

**Voltage:** 600 Volt

**Pole:** 3

**Enclosure Rating:** NEMA 3R

**Dielectric Voltage:** Withstands 2200V for 1 min.

**Overload UL20 Test:** 100 cycles of OL at 4.8 times rated current

**Temperature Rise:** 50°C Max at full rated current

**Endurance:** 6,000 cycles inductive motor type load

#### Environmental Specifications

**Flammability:** Rated V-0 per UL94

**Operating Temperature:** -40C to 60C

#### Material Specifications

**Strap Material:** Nickel Plated Brass

**Yoke:** Nickel-Plated Brass

**Base Material:** Thermoplastic Polyester

**Toggle:** Thermoplastic Polyester

**Face Material:** Thermoplastic Polyester

**Contacts:** .046" Thick Silver-Cadmium Oxide

**Terminal Screws:** Zinc-Plated Steel, Triple Combination

**Handle Material:** Valox 357 PBT

**Enclosure Material:** Powder-Coated Steel

**Color:** Grey

#### Mechanical Specifications

**Termination:** Front

**Terminal ID:** T1, T2, T3, L1, L2 & L3 marked on back of device

**Product ID:** Ratings are permanently marked on device

**Terminal Accom.:** 10-4 AWG

**Torque Range:** 25 inch pounds maximum

#### Product Features

**Color:** Grey

#### Standards and Certifications

**NEMA:** WD-1 & WD-6

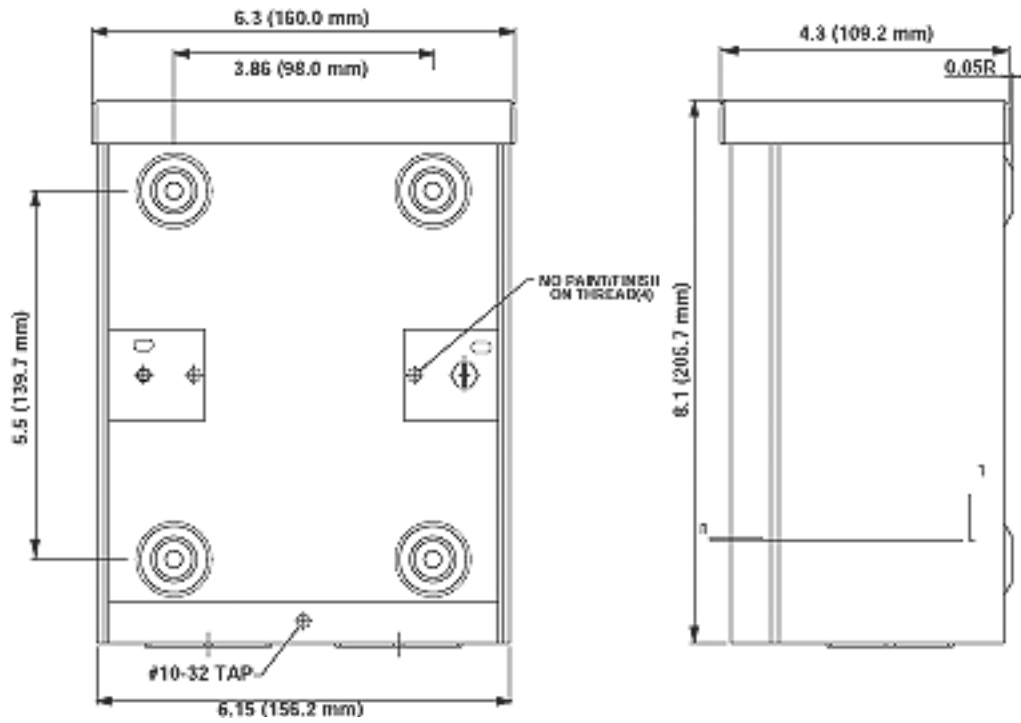
**ANSI:** C-73

**UL 60947-4-1:** supersedes UL 508

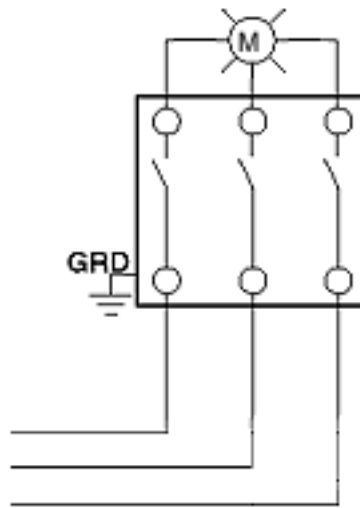
**cUL per CSA C22.2 No. 111:** File #E63969

**NOM:** NOM-ANCE

**Warranty:** 10-Year Limited



**Wiring Diagram  
3-POLE**



**SPECIFICATION SUBMITTAL**

JOB NAME: <input type="text"/>	CATALOG NUMBERS: <input type="text"/>	
JOB NUMBER: <input type="text"/>	<input type="text"/>	<input type="text"/>

**Leviton Manufacturing Co., Inc.**

201 North Service Road, Melville, NY 11747

Telephone: 1-800-323-8920 · FAX: 1-800-832-9538 · Tech Line (8:30AM-7:30PM E.S.T. Monday-Friday): 1-800-824-3005

**Leviton Manufacturing of Canada, Ltd.**

165 Hymus Boulevard, Pointe Claire, Quebec H9R 1E9 · Telephone: 1-800-469-7890 ·

FAX: 1-800-824-3005 · [www.leviton.com/canada](http://www.leviton.com/canada)

**Leviton S. de R.L. de C.V.**

Lago Tana 43, Mexico DF, Mexico CP 11290 · Tel.: (+52)55-5082-1040 · FAX: (+52)5386-1797 · [www.leviton.com.mx](http://www.leviton.com.mx)

**Visit our Website at: [www.leviton.com](http://www.leviton.com)**

© 2012-2015 Leviton Manufacturing Co., Inc. All rights reserved. Subject to change without notice.



**Leviton has a global presence.**

If you would like to know where your local Leviton office is located please go to: [www.leviton.com/international/contacts/](http://www.leviton.com/international/contacts/)

*\*Buy American Compliant Logo -- The American Recovery And Reinvestment Act of 2009 ("ARRA") provides federal grants and loans for projects throughout the country. Section 1605 of the Act, named the "Buy American" provision, requires that certain materials and manufactured products used in projects funded by the Act be manufactured in the United States. The appearance of the Recovery Act Logo in relation to a Leviton product is only intended to reflect that such product may be used in an ARRA funded project. It does not mean that such product or Leviton is sponsored or endorsed by, or that Leviton receives funds from, the federal government or the Recovery Accountability and Transparency Board. Nothing in Leviton's use of the logo is intended to suggest anything regarding the requirements for funding under ARRA.*