

### 100-240VAC 2W ROUND FLAT AND LOUVERED TRIM LED STEP AND PATHWAY LIGHTING

PROJECT

TYPE

CATALOG NUMBER

#### PRODUCT DESCRIPTION

Step and pathway lighting has become a bit brighter with the introduction of GM Lighting's NEW 100-240VAC 2W LED Round Step and Pathway Light. The step light's round flat trim offers a highly visible illuminated detail and the louvered trim directs light onto the horizontal plane directly below it, making your indoor or outdoor steps or pathways visible and safe to access.

#### PRODUCT SPECIFICATIONS

**Construction:** Solid die cast face plate.

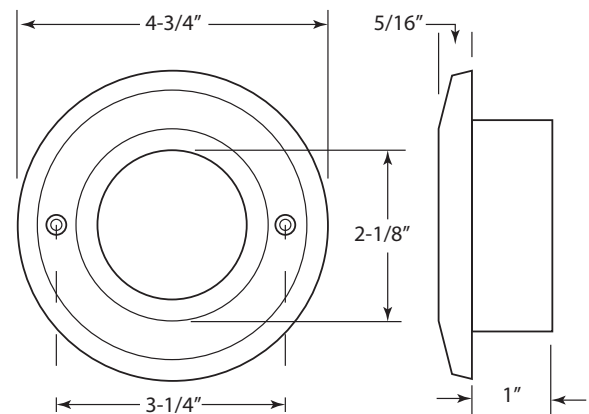
**Electrical:** 100-240VAC 2W. 50,000 hour life.

**Power Supply:** Line voltage. No power supply needed.

**Dimming:** Not dimmable.

**Mounting:** Easy to mount. Please check local construction codes.

**Rating:** Rated for indoor or outdoor applications. UL listed for through wiring with junction box.



Catalog No.	Description	Wattage	Dimensions	Finish	LED Life
STLR-FT-W	Round Shield	2W	4-3/4"R x 5/16"D	White	50,000 hrs.
STLR-FT-B	Round Shield	2W	4-3/4"R x 5/16"D	Black	50,000 hrs.
STLR-FT-BNK	Round Shield	2W	4-3/4"R x 5/16"D	Brushed Nickel	50,000 hrs.
STLR-FT-DBZ	Round Shield	2W	4-3/4"R x 5/16"D	Dark Bronze	50,000 hrs.
STLR-FT-CP	Round Shield	2W	4-3/4"R x 5/16"D	Copper	50,000 hrs.
STLR-LT-W	Round Louvered Shield	2W	4-3/4"R x 5/16"D	White	50,000 hrs.
STLR-LT-B	Round Louvered Shield	2W	4-3/4"R x 5/16"D	Black	50,000 hrs.
STLR-LT-BNK	Round Louvered Shield	2W	4-3/4"R x 5/16"D	Brushed Nickel	50,000 hrs.
STLR-LT-DBZ	Round Louvered Shield	2W	4-3/4"R x 5/16"D	Dark Bronze	50,000 hrs.
STLR-LT-CP	Round Louvered Shield	2W	4-3/4"R x 5/16"D	Copper	50,000 hrs.

For a full line of spec sheets and mounting instructions, please see our website at [www.gmlighting.net](http://www.gmlighting.net)