

LightHAWK2™ Dual Technology Wall Switch Sensor

WALL SWITCH OCCUPANCY SENSORS

**TITLE
24**
COMPLIANCE



Light
HAWK2



LHMTS1

PROJECT INFORMATION

Project Name _____

Catalog No. _____

Date _____

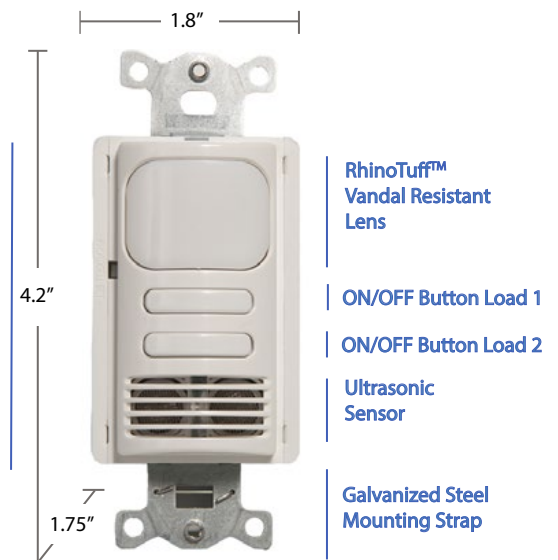
With a coverage area of up to 1,000 square feet and 180° of detection, the LightHAWK2™ Dual Technology Wall Switch Sensor combines ultrasonic (US) and passive infrared (PIR) technologies for unequaled motion detection. By far the most versatile and widely used sensor in the LightHAWK2 product line, this sensor can be used in a large number of applications, and won't leave users waving their hands in the dark.

LHMT sensors feature Hubbell Controls' patented IntelliDAPT™ technology, which makes all the sensor adjustment decisions automatically. Throughout the product's lifespan, smart software analyzes the controlled area and makes digital adjustments to sensitivity and timer settings. Occupancy sensors with IntelliDAPT provide a maintenance-free install-and-forget operation. With selectable operating modes—auto on/off or manual on/auto off—and a built-in photosensor for automatic daylight harvesting, LHMT sensors are the most capable choice in today's marketplace.

PRODUCT FEATURES

- Digital dual technology: (US) and (PIR) sensors
- IntelliDAPT self-adaptive technology—no manual adjustment required
- 1 or 2 relay models for single-level switching or bi-level switching
- Occupancy (auto-on) and Vacancy (manual-on) operating modes
- Available with or without Neutral
- 1,000 square-foot, 180° coverage area
- RhinoTuff™ vandal resistant lens
- 120/277VAC operation
- No minimum load requirement
- Zero Arc Point Switching
- Five-year limited warranty
- 120-277 Vac and 347 Vac models
- Low voltage device: 24 Vdc

Fits Standard
Decorator Style
Wallplate
(sold separately)



LHMTD2



HUBBELL
Control Solutions

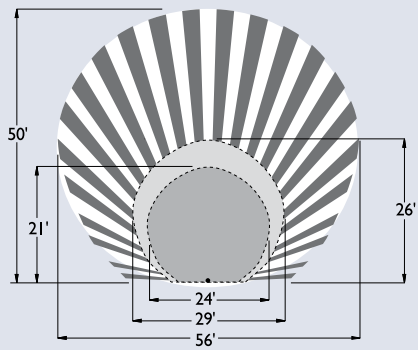
General Specifications

IntelliDAPT Technology	Self-adjusting timer Self-adjusting Ultrasonic (US) and passive infrared (PIR) sensitivity Automatic false-on/false-off corrections No manual adjustments required
Time Delay	Auto mode: 4–30 minutes; self-adjusts based on occupancy Fixed mode: 4, 8, 15, and 30 minutes Test mode: 5 seconds
Ultrasonic (US) Output	40kHz output
Passive Infrared (PIR)	Dual-element pyrometer and 12-element cylindrical RhinoTuff lens
Photocell	Natural light override range: 10–500 foot-candles
Coverage	1,000 square-foot, 180° coverage area
Power Requirements	120/277VAC; 50/60Hz 347VAC; 50/60Hz 24VDC (requires UVPP)
Electrical Ratings	120VAC: 800W Incandescent/ Electronic Ballast/ LED Driver 1,000W Magnetic Ballast 1/6 HP Motor 277VAC: 1,800W Magnetic Ballast /Electronic Ballast/ LED Driver; 1/6 HP Motor 347VAC: 1,500W Magnetic Ballast /Electronic Ballast/ LED Driver 1/6 HP Motor
Minimum Load Requirements	None
Operating Environment	Indoor use only Operating temperature: 32° to 104°F (0° to 40°C) Relative humidity (non-condensing): 0% to 95%
Construction	Casing—high-impact injection-molded plastic (UL-94-5V) Impact-resistant lens Color-coded leads are 6" long Wrap-around galvanized steel mounting strap
Dimensions	4.2" x 1.8" x 1.75"; .37" extension
Weight	2.9 oz
Color	White; Ivory; Light Almond; Gray; Black
Mounting	Single-gang NEMA-style switch box (standard switch box) Decorator-style wall plate sold separately
Certifications	Listed UL, cUL
Warranty	Five-year limited

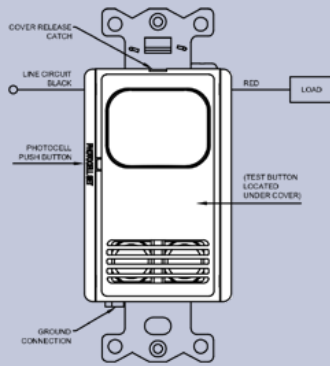
Ordering Information

MODEL		BUTTONS	WIRING	COLOR	MODE
LHMTS	LightHAWK2™ Dual Technology Single Relay	0	G Ground (120/277V) N Neutral (120/277V)	WH White IV Ivory	Blank Switchable Vacancy or Occupancy Mode
LHMTD	LightHAWK2™ Dual Technology Dual Relay	1* 2†	24V Low Voltage G347 Ground (347V) N347 Neutral (347V)	LA Light Almond GY Gray BK Black	M Vacancy Mode Only

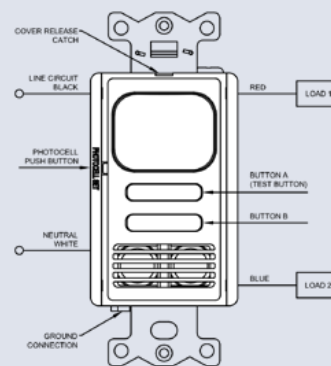
NOTE: * Only available with LightHAWK2™ Dual Technology Single Relay.
 † Only available with LightHAWK2™ Dual Technology Dual Relay.
 - Low voltage sensors require a power pack that is sold) separately.



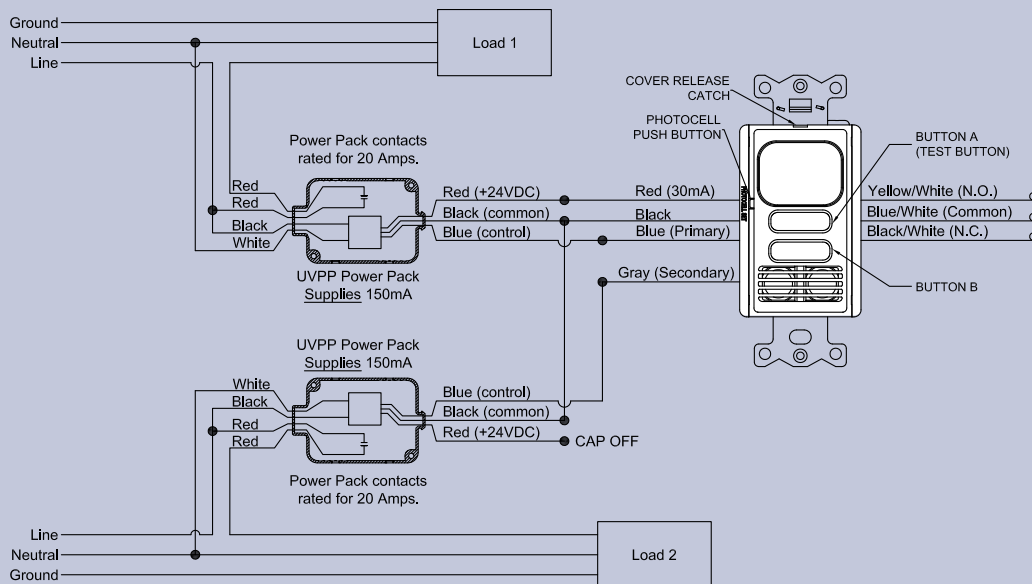
 US Major Motion
 US Minor Motion
 IR Motion



Single Load Wiring Without Neutral



Dual Load Wiring With Neutral



Low Voltage Dual Level Control with Two Power Packs