



### Features

- Smooth, quiet rocker
- Self-grounding feature is standard
- Ultrasonically welded cover and base
- Operating temperature: -20°C to 60°C
- UL Listed E3896, CSA Certified

### Single Pole Decorator Quiet Rocker Switches

| Description  | Single Pole                              | Single Pole, Illuminated                 | Single Pole, Pilot Light                 | Single Pole with Nightlight              | Single Pole with ON/OFF Marking          |
|--------------|--|--|--|--|--|
| Termination  | Self-Grounding, Push, Back and Side Wire | Self-Grounding, Push, Back and Side Wire | Self-Grounding, Push, Back and Side Wire | Self-Grounding, Push, Back and Side Wire | Self-Grounding, Push, Back and Side Wire |
| Rating       | 15A 120-277V AC                          | 15A 120V AC                              | 15A 120V AC                              | 20A 120-277V AC                          | 15A 120-277V AC                          |
| Black        | <b>RSD115BK</b>                          | —  | —  | —  | —  |
| Brown        | <b>RSD115</b>                            | —  | —  | —  | —  |
| Gray         | <b>RSD115GY</b>                          | —  | —  | —  | —  |
| Ivory        | <b>RSD115I</b>                           | <b>RSD115ILI*</b>                        | <b>RSD115PLI**</b>                       | <b>DS120NLIV**</b>                       | <b>RSD115IM</b>                          |
| Light Almond | <b>RSD115LA</b>                          | <b>RSD115ILLA*</b>                       | <b>RSD115PLLA**</b>                      | <b>DS120NLLA**</b>                       | <b>RSD115LAM</b>                         |
| White        | <b>RSD115W</b>                           | <b>RSD115ILW*</b>                        | <b>RSD115PLW**</b>                       | <b>DS120NLWH**</b>                       | <b>RSD115WM</b>                          |

Note: \*Light glows through the top portion of the rocker when switch is in the off position. Does not require a neutral wire.

\*\*Light glows through the top portion of the rocker when switch is in the on position. Requires a neutral wire.



RSD115W



RSD115PLW

### Double Pole, Three Way and Four Way Decorator Quiet Rocker Switches

| Description  | Double Pole                        | Three Way                                | Three Way, Illuminated                   | Four Way                           |
|--------------|------------------------------------|--|--|------------------------------------|
| Termination  | Self-Grounding, Back and Side Wire | Self-Grounding, Push, Back and Side Wire | Self-Grounding, Push, Back and Side Wire | Self-Grounding, Back and Side Wire |
| Rating       | 15A 120-277V AC                    | 15A 120-277V AC                          | 15A 120V AC                              | 15A 120-277V AC                    |
| Black        | <b>RSD215BK</b>                    | <b>RSD315BK</b>                          | —  | —                                  |
| Brown        | <b>RSD215</b>                      | <b>RSD315</b>                            | —  | <b>RSD415</b>                      |
| Gray         | <b>RSD215GY</b>                    | <b>RSD315GY</b>                          | —  | <b>RSD415GY</b>                    |
| Ivory        | <b>RSD215I</b>                     | <b>RSD315I</b>                           | <b>RSD315ILI*</b>                        | <b>RSD415I</b>                     |
| Light Almond | <b>RSD215LA</b>                    | <b>RSD315LA</b>                          | <b>RSD315ILLA*</b>                       | <b>RSD415LA</b>                    |
| White        | <b>RSD215W</b>                     | <b>RSD315W</b>                           | <b>RSD315ILW*</b>                        | <b>RSD415W</b>                     |

Note: \*Light glows through the top portion of the rocker when switch is in the off position. Does not require a neutral wire.



DS120NLWH

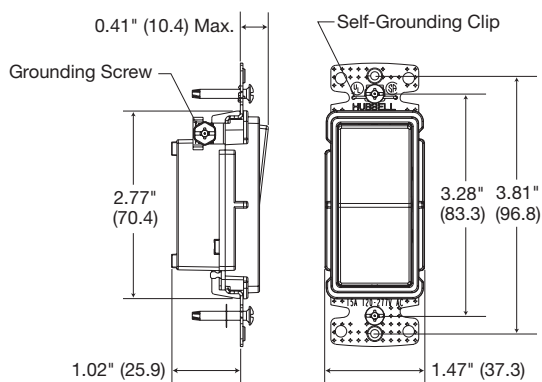


RSD115WM

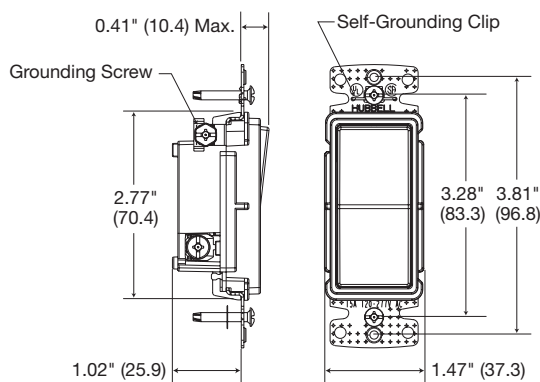


RSD215W

### Dimensions



Single Pole Decorator Switch



Three Way Decorator Switch

Dimensions in Inches (mm)



**Features**

- Low profile, less than 1 inch deep
- Self-grounding feature is standard
- Operating temperature: -20°C to 60°C
- UL Listed E3896, CSA Certified

**Combination Quiet Rocker Switches/Devices**



**RCD111W**



**RCD101W**




**RCD108W**




**RCD109W**



**DD100NLWH**

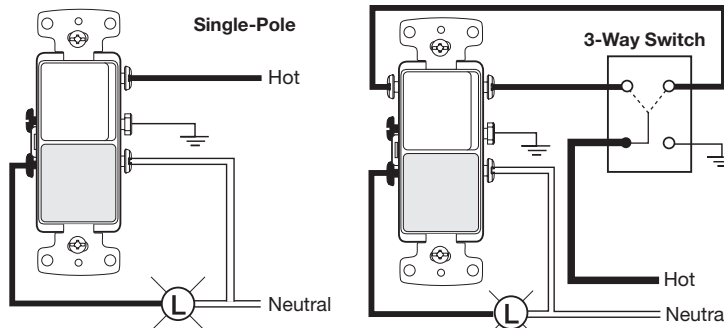
| Description  | Three (3)<br>Single Pole Switches | Two (2)<br>Single Pole<br>Switches | Single Pole and<br>Three Way Switch |  *<br>Single Pole Switch,<br>Tamper-Resistant,<br>2 Pole, 3 Wire,<br>Receptacle |
|--------------|-----------------------------------|------------------------------------|-------------------------------------|--|
|              | Termination                       | Self-Grounding,<br>Side Wire       | Self-Grounding,<br>Side Wire        | Self-Grounding,<br>Side Wire   |
| Rating       | 15A<br>120-277V AC                | 15A<br>120-277V AC                 | 15A<br>120-277V AC                  | 15A 120V (switch)<br>15A 125V (recept.)<br>NEMA 5-15R  |
| Black        | —                                 | <b>RCD101BK</b>                    | <b>RCD103BK</b>                     | <b>RCD108BKTR</b>  |
| Gray         | —                                 | <b>RCD101GY</b>                    | <b>RCD103GY</b>                     | <b>RCD108GYTR</b>  |
| Ivory        | <b>RCD111I</b>                    | <b>RCD101I</b>                     | <b>RCD103I</b>                      | <b>RCD108ITR</b>   |
| Light Almond | <b>RCD111LA</b>                   | <b>RCD101LA</b>                    | <b>RCD103LA</b>                     | <b>RCD108LATR</b>  |
| White        | <b>RCD111W</b>                    | <b>RCD101W</b>                     | <b>RCD103W</b>                      | <b>RCD108WTR</b>   |

| Description  | Single Pole Switch,<br>2 Pole, 3 Wire<br>Receptacle   | Two (2)<br>Three Way<br>Switches |  *<br>Three Way Switch,<br>Tamper-Resistant,<br>2 Pole, 3 Wire,<br>Receptacle | Three Way Switch,<br>2 Pole, 3 Wire<br>Receptacle     |
|--------------|---|----------------------------------|--|---|
|              | Termination   | Self-Grounding,<br>Side Wire     | Self-Grounding,<br>Side Wire   | Self-Grounding,<br>Side Wire                          |
| Rating       | 15A 120V (switch)<br>15A 125V (recept.)<br>NEMA 5-15R | 15A<br>120-277V AC               | 15A 120V (switch)<br>15A 125V (recept.)<br>NEMA 5-15R  | 15A 120V (switch)<br>15A 125V (recept.)<br>NEMA 5-15R |
| Black        | <b>RCD108BK</b>                                       | <b>RCD303BK</b>                  | <b>RCD308BKTR</b>  | <b>RCD308BK</b>                                       |
| Gray         | <b>RCD108GY</b>                                       | <b>RCD303GY</b>                  | <b>RCD308GYTR</b>  | <b>RCD308GY</b>                                       |
| Ivory        | <b>RCD108I</b>  | <b>RCD303I</b>                   | <b>RCD308ITR</b>   | <b>RCD308I</b>  |
| Light Almond | <b>RCD108LA</b>                                       | <b>RCD303LA</b>                  | <b>RCD308LATR</b>  | <b>RCD308LA</b>                                       |
| White        | <b>RCD108W</b>  | <b>RCD303W</b>                   | <b>RCD308WTR</b>   | <b>RCD308W</b>  |

| Description  | Single Pole Switch,<br>Pilot Light, Clear Lens,<br>Amber Neon Bulb | Three Way Switch,<br>Pilot Light, Clear Lens,<br>Amber Neon Bulb | Nightlight Only              |
|--------------|--|--|------------------------------|
|              | Termination  | Self-Grounding,<br>Side Wire                                     | Self-Grounding,<br>Side Wire |
| Rating       | 15A 120V   | 15A 120V   | 120V                         |
| Black        | —  | —  | —                            |
| Gray         | —  | —  | —                            |
| Ivory        | <b>RCD109I**</b>   | <b>RCD309I**</b>   | <b>DD100NLIV**</b>           |
| Light Almond | <b>RCD109LA**</b>  | <b>RCD309LA**</b>  | <b>DD100NLLA**</b>           |
| White        | <b>RCD109W**</b>   | <b>RCD309W**</b>   | <b>DD100NLWH**</b>           |

Note: \*See Technical section, page 10 for Tamper-Resistant description.  
 \*\*Requires neutral wire.

**Pilot Light Wiring Diagram**





## Decorator Duplex Receptacles, 2 Pole, 3 Wire

| Description  | *  *                               | *                                  |                                    |                        |
|--------------|------------------------------------|------------------------------------|------------------------------------|------------------------|
|              | Weather and Tamper-Resistant       | Tamper-Resistant                   | Standard                           | Standard               |
| Termination  | Self-Grounding, Push and Side Wire | Self-Grounding, Push and Side Wire | Self-Grounding, Push and Side Wire | Push and Side Wire     |
| Rating       | 15A 125V<br>NEMA 5-15R             | 15A 125V<br>NEMA 5-15R             | 15A 125V<br>NEMA 5-15R             | 15A 125V<br>NEMA 5-15R |
| Black        | <b>RRD15SBKWRTR</b>                | <b>RRD15SBKTR</b>                  | <b>RRD15SBK</b>                    | <b>RRD15BK</b>         |
| Brown        | <b>RRD15SWRTR</b>                  | <b>RRD15STR</b>                    | <b>RRD15S</b>                      | <b>RRD15</b>           |
| Gray         | <b>RRD15SGYWRTR</b>                | <b>RRD15SGYTR</b>                  | <b>RRD15SGY</b>                    | <b>RRD15GY</b>         |
| Ivory        | <b>RRD15SIWRTR</b>                 | <b>RRD15SITR</b>                   | <b>RRD15SI</b>                     | <b>RRD15I</b>          |
| Light Almond | <b>RRD15SLAWRTR</b>                | <b>RRD15SLATR</b>                  | <b>RRD15SLA</b>                    | <b>RRD15LA</b>         |
| White        | <b>RRD15SWWRTR</b>                 | <b>RRD15SWTR</b>                   | <b>RRD15SW</b>                     | <b>RRD15W</b>          |



RRD15SWTR

| Description  | *  | *  | *                                  |                                    |
|--------------|--|--|------------------------------------|------------------------------------|
|              | Tamper-Resistant, Nightlight Receptacle  | Tamper-Resistant                                   | Tamper-Resistant, Without Ears**   | Standard, Without Ears**           |
| Termination  | Self-Grounding, Two Nightlight Sources for 0.5 Lumens Total, Back and Side Wired | Self-Grounding, Eight Push Wire Holes Only #14 AWG | Self-Grounding, Push and Side Wire | Self-Grounding, Push and Side Wire |
| Rating       | 15A 125V<br>NEMA 5-15R   | 15A 125V<br>NEMA 5-15R                             | 15A 125V<br>NEMA 5-15R             | 15A 125V<br>NEMA 5-15R             |
| Black        | —  | <b>RRD15EBKTR</b>                                  | <b>RRD15KBKTR</b>                  | <b>RRD15KBK</b>                    |
| Brown        | —  | <b>RRD15ETR</b>                                    | <b>RRD15KTR</b>                    | <b>RRD15K</b>                      |
| Gray         | —  | <b>RRD15EGYTR</b>                                  | <b>RRD15KGYTR</b>                  | <b>RRD15KGY</b>                    |
| Ivory        | <b>DR15NLIV</b>  | <b>RRD15EITR</b>                                   | <b>RRD15KITR</b>                   | <b>RRD15KI</b>                     |
| Light Almond | <b>DR15NLLA</b>  | <b>RRD15ELATR</b>                                  | <b>RRD15KLATR</b>                  | <b>RRD15KLA</b>                    |
| White        | <b>DR15NLWH</b>  | <b>RRD15EWTR</b>                                   | <b>RRD15KWTR</b>                   | <b>RRD15KW</b>                     |



RRD15SW



DR15NLWH

Note: \*See Technical section, page 10 for Weather and Tamper-Resistant descriptions.

\*\*100 per case, bulk packed. Mounting screws inserted into strap.

## Decorator Single Receptacles, 2 Pole, 3 Wire

| Description  | *                         |                           | *                         |                           |
|--------------|---------------------------|---------------------------|---------------------------|---------------------------|
|              | Tamper-Resistant          | Standard                  | Tamper-Resistant          | Standard                  |
| Termination  | Self-Grounding, Side Wire | Self-Grounding, Side Wire | Self-Grounding, Side Wire | Self-Grounding, Side Wire |
| Rating       | 15A 125V<br>NEMA 5-15R    | 15A 125V<br>NEMA 5-15R    | 20A 125V<br>NEMA 5-20R    | 20A 125V<br>NEMA 5-20R    |
| Black        | <b>RRD151BKTR</b>         | <b>RRD151BK</b>           | <b>RRD201BKTR</b>         | <b>RRD201BK</b>           |
| Brown        | <b>RRD151TR</b>           | <b>RRD151</b>             | <b>RRD201TR</b>           | <b>RRD201</b>             |
| Gray         | <b>RRD151GYTR</b>         | <b>RRD151GY</b>           | <b>RRD201GYTR</b>         | <b>RRD201GY</b>           |
| Ivory        | <b>RRD151ITR</b>          | <b>RRD151I</b>            | <b>RRD201ITR</b>          | <b>RRD201I</b>            |
| Light Almond | <b>RRD151LATR</b>         | <b>RRD151LA</b>           | <b>RRD201LATR</b>         | <b>RRD201LA</b>           |
| White        | <b>RRD151WTR</b>          | <b>RRD151W</b>            | <b>RRD201WTR</b>          | <b>RRD201W</b>            |



RRD151W

| Description  | Standard                  | Standard                  |
|--------------|---------------------------|---------------------------|
| Termination  | Self-Grounding, Side Wire | Self-Grounding, Side Wire |
| Rating       | 15A 250V<br>NEMA 6-15R    | 20A 250V<br>NEMA 6-20R    |
| Black        | <b>RRD155BK</b>           | <b>RRD205BK</b>           |
| Brown        | <b>RRD155</b>             | <b>RRD205</b>             |
| Gray         | <b>RRD155GY</b>           | <b>RRD205GY</b>           |
| Ivory        | <b>RRD155I</b>            | <b>RRD205I</b>            |
| Light Almond | <b>RRD155LA</b>           | <b>RRD205LA</b>           |
| White        | <b>RRD155W</b>            | <b>RRD205W</b>            |



RRD205W

Note: \*See Technical section, page 10 for Tamper-Resistant description.