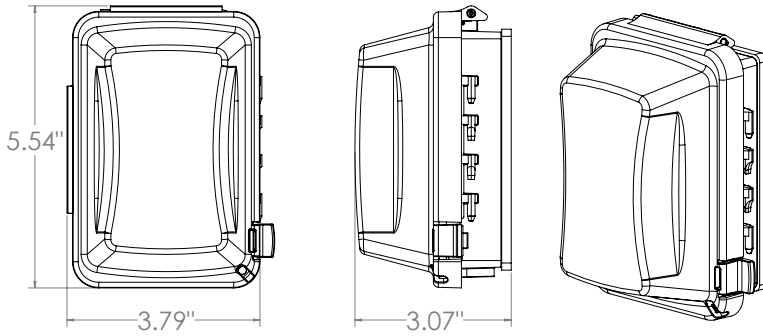
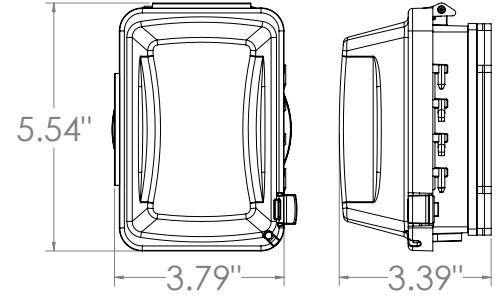


PLASTIC WHILE-IN-USE COVERS

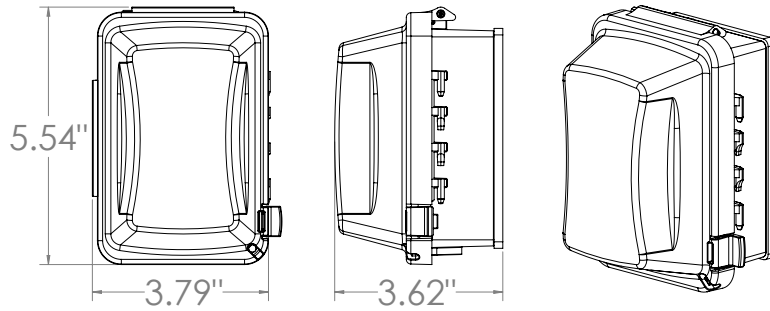
MM410



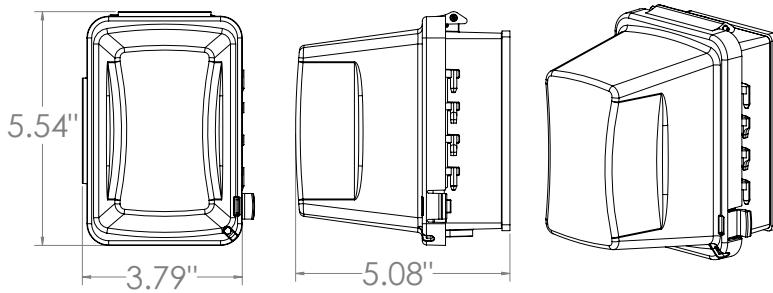
MM410CA (Round Box Adapter Plate)



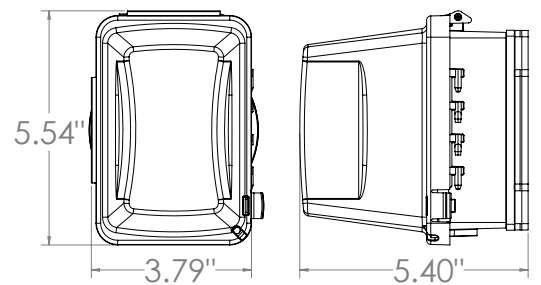
MM510



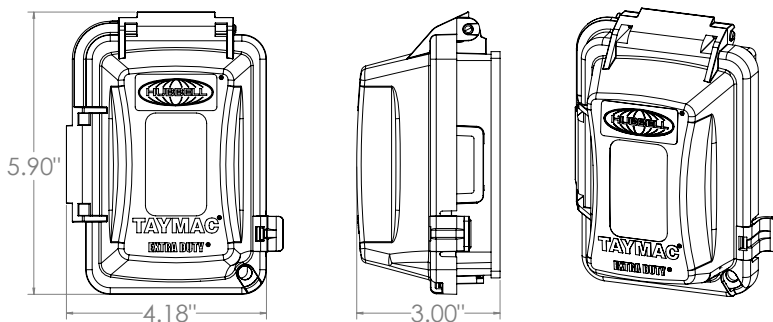
MM710



MM710CA (Round Box Adapter Plate)



MM420



NON-METALLIC WHILE-IN-USE COVERS

1-GANG

APPLICATIONS

- Designed for use whenever weatherproof protection is required while an outlet is in use

PRODUCT FEATURES

- High-impact polycarbonate construction provides maximum durability
- Patented Quick-Fit™ keyhole mounting system allows installation in under a minute
- Includes attached gasket and mounting hardware
- Pre-configured for GFCI with patented Knock-Out™ technology for alternate devices
- Lockable tab
- Made in USA

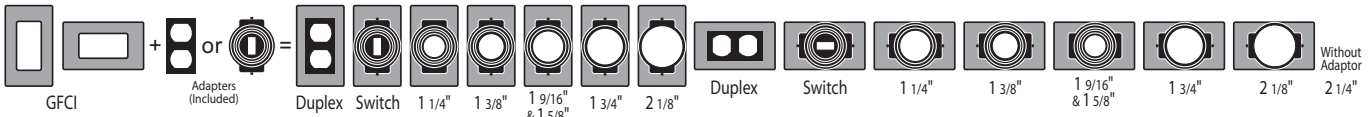
COMPLIANCES

- UL File E116141
- 2014 NEC® compliant (article 406.9)
- NEMA 3R rated

U.S. Patents: 7,348,486; 7,282,645; 7,119,277; 6,960,221; 6,790,816; 6,642,453



16-in-1 CONFIGURATIONS



Fits Full-Size Padlock



CATALOG #	DESCRIPTION	DEPTH	COLOR	PKG. TYPE	STD. PKG.	BARCODE
<b>1-Gang In-Use Covers</b>						
MM410C	Horizontal/Vertical 16-in-1 Standard	2.75"	Clear	Shrink	10	
MM410CA	Horizontal/Vertical 16-in-1 Standard w/Round Box Adaptor	2.75"	Clear	Shrink	10	
MM410CW	Horizontal/Vertical 16-in-1 Standard	2.75"	Clear w/ White Base	Shrink	10	
MM410G	Horizontal/Vertical 16-in-1 Standard	2.75"	Gray	Shrink	10	
MM410W	Horizontal/Vertical 16-in-1 Standard	2.75"	White	Shrink	10	
MM510C	Horizontal/Vertical 16-in-1 Deep	3.25"	Clear	Shrink	8	
MM510G	Horizontal/Vertical 16-in-1 Deep	3.25"	Gray	Shrink	8	
MM710C	Horizontal/Vertical 16-in-1 Jumbo	4.75"	Clear	Shrink	5	
MM710G	Horizontal/Vertical 16-in-1 Jumbo	4.75"	Gray	Shrink	5	
MM420C	Extra Duty® Horizontal/Vertical 16-in-1 Standard	2.75"	Clear	Shrink	8	
MM420G	Extra Duty® Horizontal/Vertical 16-in-1 Standard	2.75"	Gray	Shrink	8	
MM720C	Extra Duty® Horizontal/Vertical 16-in-1 Jumbo	4.75"	Clear	Shrink	4	
MM720G	Extra Duty® Horizontal/Vertical 16-in-1 Jumbo	4.75"	Gray	Shrink	4	

SEE END OF SECTION (PG C15) FOR DETAILED DRAWINGS >>

