



NEMA 4X Disconnect Switches

"Suitable as Motor Disconnects"

SHARED FEATURES

Undrilled case.

- Allows custom placement of wire entry.

Hinged cover with removable continuous pin.

304 stainless steel enclosure.

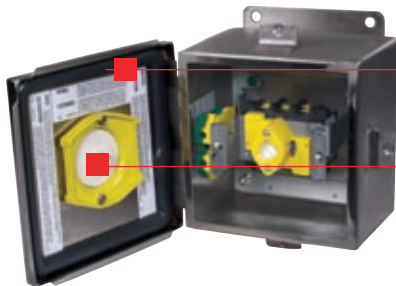
Chemical and corrosion resistant.

VALOX® handle and collar.

Chemical and impact resistant.



HBL13S33D



Poured in closed cell neoprene gasket.

Interlocking shaft and handle.

Prevents cover removal when switch is on.

Up to 2 optional auxiliary contacts.

For PLCs and external indicators.



HUBBELL Advantage

- CIRCUIT-LOCK® NEMA Type 4X enclosures are "Suitable as Disconnect" when used with the 30 or 60 amp controller/disconnect.
- High impact, chemical and corrosion resistant.
- Neutral and ground bus included for wiring ease (60A product).
- Up to two optional auxiliary contacts for PLC's and external indicators.

CIRCUIT-LOCK® NEMA 4X Enclosures with Switch and Accessories

Order Information

Ideal for use in environments where washdown is necessary, i.e. food processing, laboratories, etc.

Amp	Poles	HP Rating				Catalog Numbers
		120V AC	240V AC	480V AC	600V AC	
30	3	3	7.5	15	20	HBL13S33D
60	3	—	10	25	30	HBL16S63D

Finger Guard option for 30A switch

HBLFG30

NO/NC auxiliary contact, 10A 120/250 V AC for 30 and 60 Amp switches

HBLAUX

Note: For switch specifications refer to page 4.



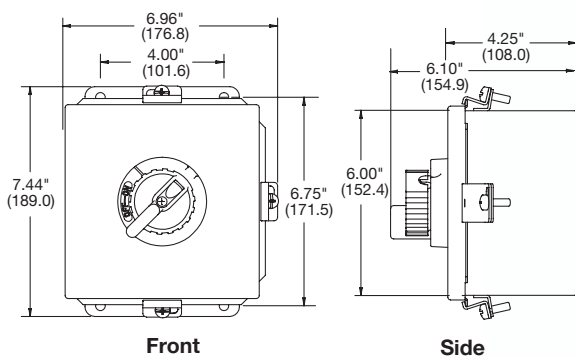
HBL13S33D



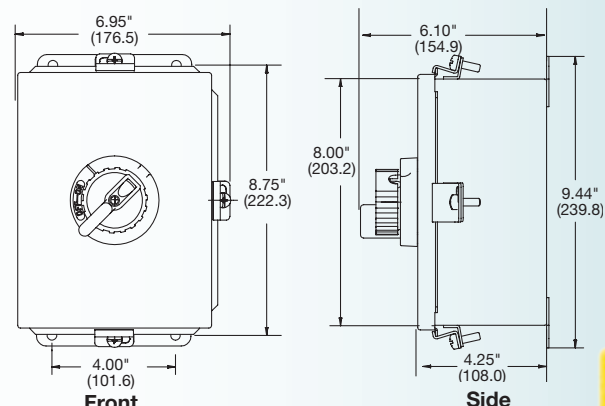
HBL16S63D

Dimensional Drawings

HBL13S33D



HBL16S63D



VALOX® is a registered trademark of General Electric Company (GE).






Hubbell's CIRCUIT-LOCK®

Manual Motor Controllers "Suitable as Motor Disconnects"






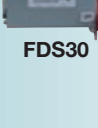


QUICK REFERENCE

Toggle Switches

Catalog Numbers	Amps	Description	Phase	Poles	HP			
					120	240	480	600
 HBL7810D	30	Toggle Switch	1	2	2	5	10	15
HBL7832D	30	Toggle Switch	1	2	2	5	10	15
HBL7832DS	30	Short Toggle Switch	1	2	2	5	10	15
HBL7810D	30	Toggle Switch	3	3	3	7.5	15	20
HBL7810DS	30	Short Toggle Switch	3	3	3	7.5	15	20
HBL7842D	40	Toggle Switch	1	2	2	5	10	15
HBL7843D	40	Toggle Switch	3	3	3	7.5	15	20
 HBL7853D	50	Toggle Switch	1	2	2	5	10	15
HBL7852D	50	Toggle Switch	3	3	3	7.5	15	25
HBLFG30	—	Finger guard (30-50A Switches)						
HBL7862D	60	Toggle Switch	1	2	—	10	15	20
HBL7863D	60	Toggle Switch	3	3	—	10	25	30
HBL7862FWD	60	Toggle Switch - Front Wire	1	2	—	10	15	20
HBL7863FWD	60	Toggle Switch - Front Wire	3	3	—	10	25	30
 HBL7863D	85	Toggle Switch	1	2	—	10	15	20
HBL7882D	85	Toggle Switch	3	3	—	10	25	40
HBL7883D	85	Toggle Switch						

Toggle Switches in Enclosures

Catalog Numbers	Amps	Description	Phase	Poles	HP			
					120	240	480	600
 HBL1379D	30	NEMA 1 Aluminum	1	2	2	5	10	15
HBL1372D	30	NEMA 1 Aluminum	3	3	3	7.5	15	20
HBL1392D	30	NEMA 1 Plastic	1	2	2	5	10	15
HBL1389D	30	NEMA 1 Plastic	3	3	3	7.5	15	20
 HBL13R92D	30	NEMA 3/3R Plastic	1	2	2	5	10	15
HBL13R22D	30	NEMA 3/3R Plastic	3	3	3	7.5	15	20
HBL13R12D	30	NEMA 3R Die Cast Aluminum	1	2	2	5	10	15
HBL13R13D	30	NEMA 3R Die Cast Aluminum	3	3	3	7.5	15	20
 HBL13S33D	30	NEMA 3R Aluminum	1	2	2	5	10	15
HBL13R92D	30	NEMA 3R Aluminum	3	3	3	7.5	15	20
HBL13R89D	30	NEMA 3R Aluminum	1	2	—	10	15	20
HBL16R92D	60	NEMA 3R Aluminum	3	3	—	10	25	30
HBL16R93D	60	NEMA 3R Aluminum	3	3	1	7.5	15	15
 HBLDS3	30	NEMA 4X Non-Metallic	3	3	7.5	30	50	50
HBLDS6	60	NEMA 4X Non-Metallic	3	3	7.5	30	50	50
HBLDS10	100	NEMA 4X Non-Metallic	3	3	3	7.5	15	20
 HBLDS3	30	NEMA 4X Stainless Steel	3	3	—	10	25	30
HBL16S63D	60	NEMA 4X Stainless Steel	3	3	2	7.5	15	20
 FDS30	30	NEMA 4X Non-Metallic Fused Disconnect	3	3	3	15	30	40
FDS60	60	NEMA 4X Non-Metallic Fused Disconnect						

Printed In U.S.A. Specifications subject to change without notice.

© Registered trademark of Hubbell Incorporated. CIRCUIT-LOCK® is a Registered trademark of Hubbell Wiring Device-Kellems.

H5184

Hubbell Incorporated (Delaware) • 185 Plains Road • Milford, CT 06460-2420 • (203) 882-4800 • FAX (800) 255-1031

