



# NEMA 3/3R Disconnect Switches

"Suitable as Motor Disconnects"

## SHARED FEATURES

Rain tight enclosures.

Designed for surface mounting.

### Heavy duty flip lid.

3-sided protection.

### Die cast aluminum enclosure.

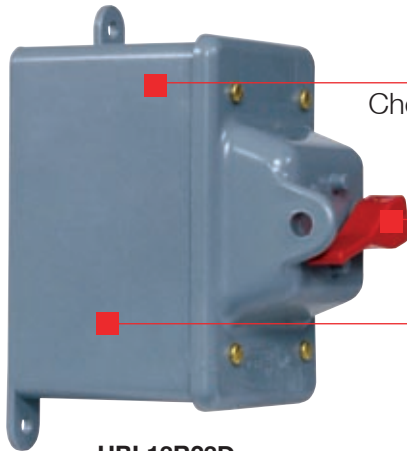
Gray zinc powder coat finish.

### Three 1/2" NPT threaded outlets.

On top, bottom and back of enclosure.



HBL13R13D



HBL13R23D

### VALOX® enclosure.

Chemical and impact resistant.

### External activation lever switch.

### Installer determined wire entry.

No predrilled openings or knockouts.

## HUBBELL Advantage

- CIRCUIT-LOCK® NEMA type 3/3R enclosures are "Suitable as Disconnect" when used with the 30 amp controller/disconnect.
- Compact size allows for strategic placement.

## CIRCUIT-LOCK® NEMA 3/3R Enclosures with Switch

### Order Information

Ideal for use on outdoor equipment.

Amp	Poles	Enclosure Material	HP Rating				Catalog Numbers
			120V AC	240V AC	480V AC	600V AC	
30	2	Thermoplastic	2	5	10	15	HBL13R22D*
30	3	Thermoplastic	3	7.5	15	20	HBL13R23D*
30	2	Aluminum	2	5	10	15	HBL13R12D†
30	3	Aluminum	3	7.5	15	20	HBL13R13D†

Note: For switch specifications refer to page 4.

\* Drill weephole to alter from NEMA 3 to NEMA 3R.

† Equipped with HBLFG30 sidewall insulation barriers.



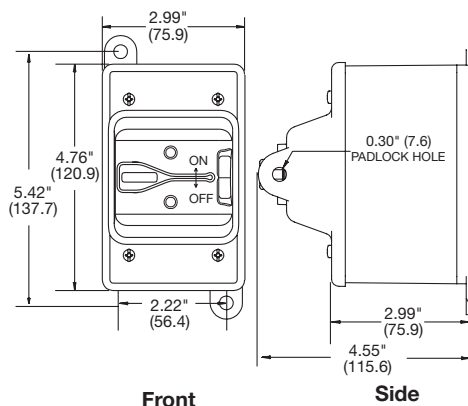
HBL13R23D



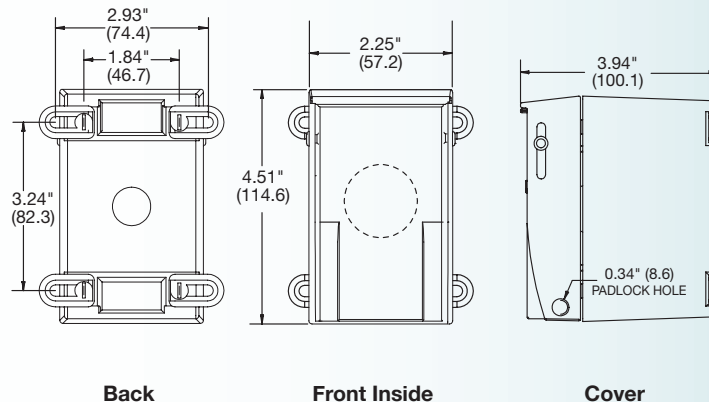
HBL13R13D

### Dimensional Drawings

#### HBL13R22D and HBL13R23D



#### HBL13R12D and HBL13R13D



VALOX® is a registered trademark of General Electric Company (GE).



Wiring Device-Kellems




# Hubbell's CIRCUIT-LOCK®

## Manual Motor Controllers "Suitable as Motor Disconnects"






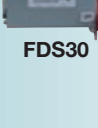


### QUICK REFERENCE

#### Toggle Switches

Catalog Numbers	Amps	Description	Phase	Poles	HP			
					120	240	480	600
 HBL7810D	30	Toggle Switch	1	2	2	5	10	15
HBL7832D	30	Toggle Switch	1	2	2	5	10	15
HBL7832DS	30	Short Toggle Switch	1	2	2	5	10	15
HBL7810D	30	Toggle Switch	3	3	3	7.5	15	20
HBL7810DS	30	Short Toggle Switch	3	3	3	7.5	15	20
HBL7842D	40	Toggle Switch	1	2	2	5	10	15
HBL7843D	40	Toggle Switch	3	3	3	7.5	15	20
 HBL7853D	50	Toggle Switch	1	2	2	5	10	15
HBL7852D	50	Toggle Switch	3	3	3	7.5	15	25
HBLFG30	—	Finger guard (30-50A Switches)						
HBL7862D	60	Toggle Switch	1	2	—	10	15	20
HBL7863D	60	Toggle Switch	3	3	—	10	25	30
HBL7862FWD	60	Toggle Switch - Front Wire	1	2	—	10	15	20
HBL7863FWD	60	Toggle Switch - Front Wire	3	3	—	10	25	30
 HBL7863D	85	Toggle Switch	1	2	—	10	15	20
HBL7882D	85	Toggle Switch	3	3	—	10	25	40
HBL7883D	85	Toggle Switch						

#### Toggle Switches in Enclosures

Catalog Numbers	Amps	Description	Phase	Poles	HP			
					120	240	480	600
 HBL1379D	30	NEMA 1 Aluminum	1	2	2	5	10	15
HBL1372D	30	NEMA 1 Aluminum	3	3	3	7.5	15	20
HBL1392D	30	NEMA 1 Plastic	1	2	2	5	10	15
HBL1389D	30	NEMA 1 Plastic	3	3	3	7.5	15	20
 HBL13R92D	30	NEMA 3/3R Plastic	1	2	2	5	10	15
HBL13R22D	30	NEMA 3/3R Plastic	3	3	3	7.5	15	20
HBL13R12D	30	NEMA 3R Die Cast Aluminum	1	2	2	5	10	15
HBL13R13D	30	NEMA 3R Die Cast Aluminum	3	3	3	7.5	15	20
 HBL13S33D	30	NEMA 3R Aluminum	1	2	2	5	10	15
HBL13R92D	30	NEMA 3R Aluminum	3	3	3	7.5	15	20
HBL13R89D	30	NEMA 3R Aluminum	1	2	—	10	15	20
HBL16R92D	60	NEMA 3R Aluminum	3	3	—	10	25	30
HBL16R93D	60	NEMA 3R Aluminum	3	3	1	7.5	15	15
 HBLDS3	30	NEMA 4X Non-Metallic	3	3	7.5	30	50	50
HBLDS6	60	NEMA 4X Non-Metallic	3	3	7.5	30	50	50
HBLDS10	100	NEMA 4X Non-Metallic	3	3	3	7.5	15	20
 HBLDS3	30	NEMA 4X Stainless Steel	3	3	—	10	25	30
HBL16S63D	60	NEMA 4X Stainless Steel	3	3	2	7.5	15	20
 FDS30	30	NEMA 4X Non-Metallic Fused Disconnect	3	3	3	15	30	40
FDS60	60	NEMA 4X Non-Metallic Fused Disconnect						

Printed In U.S.A. Specifications subject to change without notice.

© Registered trademark of Hubbell Incorporated. CIRCUIT-LOCK® is a Registered trademark of Hubbell Wiring Device-Kellems.

H5184

Hubbell Incorporated (Delaware) • 185 Plains Road • Milford, CT 06460-2420 • (203) 882-4800 • FAX (800) 255-1031

