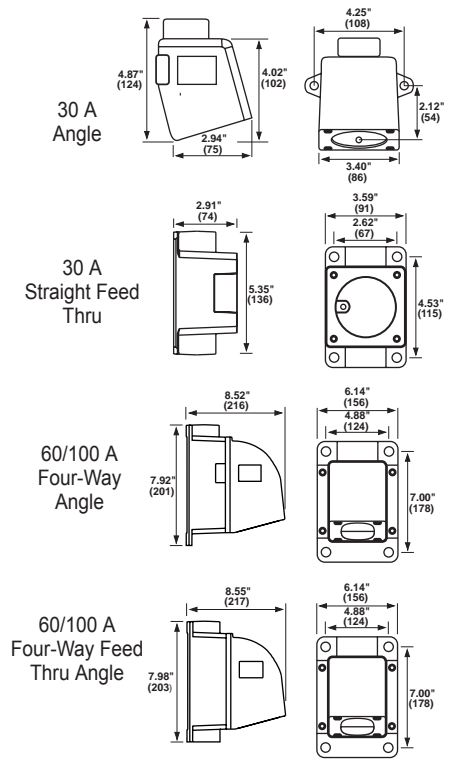


# Pin and Sleeve INSULGRIP® Reversed Service Pin & Sleeve Device Accessories

## Insulgrip Pin & Sleeve

Description	Amps	Hub Size	Catalog Numbers
15° angle.	30	3/4" NPT	<b>MB301W</b>
15° angle.	30	1" NPT	<b>MB302W</b>
Straight feed through.	30	3/4" NPT	<b>MB303W</b>
Straight feed through.	30	1" NPT	<b>MB304W</b>
15° angle.	60	1" NPT	<b>MB601W</b>
15° angle.	60	1 1/4" NPT	<b>MB602W</b>
15° angle.	60	1 1/2" NPT	<b>MB603W</b>
Straight feed through.	60	1" NPT	<b>MB604W</b>
Straight feed through.	60	1 1/4" NPT	<b>MB605W</b>
Straight feed through.	60	1 1/2" NPT	<b>MB606W</b>
Four way 15° angle.	60/100	1 1/4" NPT	<b>MB601002W</b>
Four way 15° angle.	60/100	1 1/2" NPT	<b>MB601003W</b>
Four way 15° angle.	60/100	2" NPT	<b>MB601004W</b>
Four way feed through, 15° angle.	60/100	1 1/4" NPT	<b>MB601006W</b>
Four way feed through, 15° angle.	60/100	1 1/2" NPT	<b>MB601007W</b>
Four way feed through, 15° angle.	60/100	2" NPT	<b>MB601008W</b>
Four way 15° angle.	200	2" NPT	<b>MB2003W</b>
Four way 15° angle.	200	2 1/2" NPT	<b>MB2004W</b>



## Replacement Cord Clamp Kits

Description	Catalog Numbers
Fits all 30A plugs and connectors.	<b>CC3430</b>
Fits all 60A plugs and connectors.	<b>CC60</b>
Fits all 100A plugs and connectors.	<b>CC100</b>



## Insulgrip Pin & Sleeve Liquidtight Adapter

Rating of device	Liquidtight Conduit-size	Hubbell Liquidtight Adapter Catalog Numbers	Optional Kellems Liquidtight Conduit Grip Catalog Numbers
30 Amp	1/2" NPT	<b>SAB12</b>	<b>074093402</b>
	3/4" NPT	<b>SAB34</b>	<b>074093403</b>
	1" NPT	<b>SAB100</b>	<b>074093404</b>
60 Amp	1" NPT	<b>SAC100</b>	<b>074093404</b>
	1 1/4" NPT	<b>SAC125</b>	<b>074093405</b>
100 Amp	1 1/4" NPT	<b>SAD125</b>	<b>074093405</b>
	1 1/2" NPT	<b>SAD150</b>	<b>074093406</b>



## PLUGOUT®

Description	Catalog Number
Electrical plug lockout device accepts all major brands of metallic and non-metallic pin and sleeve devices up to and including 60 Amp (and up to 100 Amp Insulgrip Pin & Sleeve devices) as a method of compliance to OSHA regulation 29 CFR 1910.147.	<b>HLD2</b>

