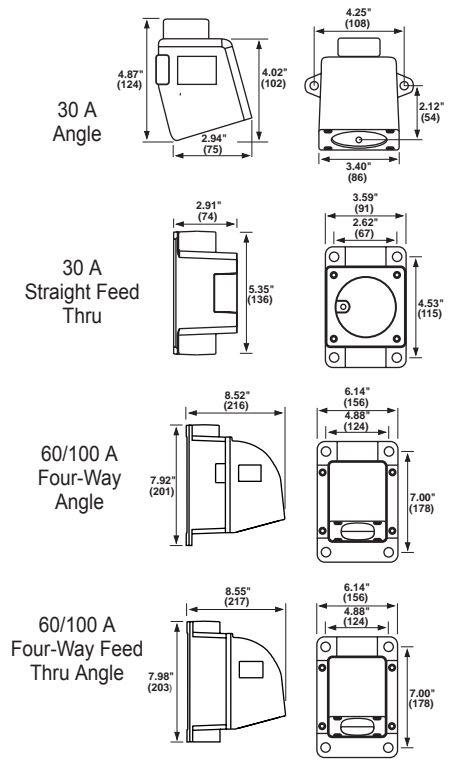


Pin and Sleeve INSULGRIP® Reversed Service Pin & Sleeve Device Accessories

Insulgrip Pin & Sleeve

Description	Amps	Hub Size	Catalog Numbers
15° angle.	30	3/4" NPT	MB301W
15° angle.	30	1" NPT	MB302W
Straight feed through.	30	3/4" NPT	MB303W
Straight feed through.	30	1" NPT	MB304W
15° angle.	60	1" NPT	MB601W
15° angle.	60	1 1/4" NPT	MB602W
15° angle.	60	1 1/2" NPT	MB603W
Straight feed through.	60	1" NPT	MB604W
Straight feed through.	60	1 1/4" NPT	MB605W
Straight feed through.	60	1 1/2" NPT	MB606W
Four way 15° angle.	60/100	1 1/4" NPT	MB601002W
Four way 15° angle.	60/100	1 1/2" NPT	MB601003W
Four way 15° angle.	60/100	2" NPT	MB601004W
Four way feed through, 15° angle.	60/100	1 1/4" NPT	MB601006W
Four way feed through, 15° angle.	60/100	1 1/2" NPT	MB601007W
Four way feed through, 15° angle.	60/100	2" NPT	MB601008W
Four way 15° angle.	200	2" NPT	MB2003W
Four way 15° angle.	200	2 1/2" NPT	MB2004W



Replacement Cord Clamp Kits

Description	Catalog Numbers
Fits all 30A plugs and connectors.	CC3430
Fits all 60A plugs and connectors.	CC60
Fits all 100A plugs and connectors.	CC100



Insulgrip Pin & Sleeve Liquidtight Adapter

Rating of device	Liquidtight Conduit-size	Hubbell Liquidtight Adapter Catalog Numbers	Optional Kellems Liquidtight Conduit Grip Catalog Numbers
30 Amp	1/2" NPT	SAB12	074093402
	3/4" NPT	SAB34	074093403
	1" NPT	SAB100	074093404
60 Amp	1" NPT	SAC100	074093404
	1 1/4" NPT	SAC125	074093405
100 Amp	1 1/4" NPT	SAD125	074093405
	1 1/2" NPT	SAD150	074093406



PLUGOUT®

Description	Catalog Number
Electrical plug lockout device accepts all major brands of metallic and non-metallic pin and sleeve devices up to and including 60 Amp (and up to 100 Amp Insulgrip Pin & Sleeve devices) as a method of compliance to OSHA regulation 29 CFR 1910.147.	HLD2

