



AC Manual Toggle Controllers/Disconnects

30, 40, 50, 60 and 85A 600V AC

600V AC Manual Motor Controllers

Order Information

For use in any industrial environment. Ideal component switch for motor control and as a disconnect. Toggle controllers can be built into equipment and enclosures for either box or panel-mount installation.

Amp	Poles	Toggle Type	Wire	HP Rating				Catalog Numbers
				120V AC	240V AC	480V AC	600V AC	
30	2	Standard	—	2	5	10	15	HBL7832D
30	2	Short	—	2	5	10	15	HBL7832DS
30	3	Standard	—	3	7.5	15	20	HBL7810D
30	3	Short	—	3	7.5	15	20	HBL7810DS
40	2	Standard	—	2	5	10	15	HBL7842D
40	3	Standard	—	3	7.5	15	20	HBL7843D
50	2	Standard	—	2	5	10	15	HBL7852D
50	3	Standard	—	3	7.5	15	25	HBL7853D
60	2	Standard	—	—	10	15	20	HBL7862D
60	3	Standard	—	—	10	25	30	HBL7863D
60	2	Standard	Front	—	10	15	20	HBL7862FWD
60	3	Standard	Front	—	10	25	30	HBL7863FWD
85	2	Standard	—	—	10	15	20	HBL7882D
85	3	Standard	—	—	10	25	40	HBL7883D
Finger Guards (red) for use with 30, 40 and 50A switches (set).								HBLFG30



Specifications

Electrical Performance

Dielectric Voltage	2,200V AC minimum for 1 minute	
Electrical Life	6,000 Cycles at rated switch load	
Max. Working Voltage	600V AC RMS	
	Switches	10,000 RMS
Short Circuit	30A & 40A	60A max. J fuses
Withstand Rating	50A	50A max. J fuses
as Motor Disconnect	60A & 85A	80A max. J fuses
Short Circuit		
Withstand Rating	All Switches	125A max. RK5 fuses
as Motor Controller		

Mechanical

Mechanical Life	10,000 minimum cycles		
	Amps	AWG Min.	AWG Max.
Terminal	30	#14	#10
Accommodations	40 & 50	#14	# 8
	60 & 85	#14	# 4
Terminal Torque	30 - 50	20 inch pounds	
	60 - 85	25 inch pounds	

Environmental

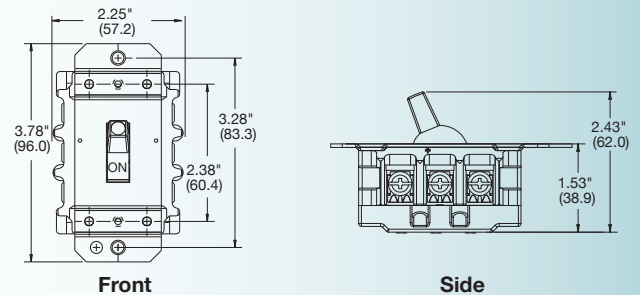
Flammability	UL94HB/VO	
Operating Temp.	Max. continuous 30, 40 & 60A	60 °C
	Max. continuous 50 & 85A	75 °C
	Min. continuous w/out impact	-40 °C

Listings

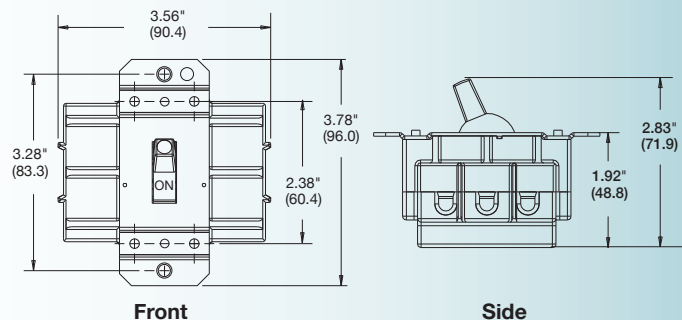
UL 508	Industrial Control Equipment File #E70402
CSA-C22.2 No.14	Industrial Control Equipment File # LR-46186

Dimensional Drawings

30, 40 and 50 Amp Toggles



60 and 85 Amp Toggles



AC Manual Toggle Controllers/Disconnects

30, 40, 50, 60 and 85A 600V AC



Circuit-Lock® controllers are rated "Suitable as Motor Disconnect". No other manufacturer offers controllers with top horsepower and high amperage ratings in such a compact device.

SHARED FEATURES

Strong on/off action with quick-make, slow break operation.

- Provides long-life reliability.

10,000 Amp high fault short circuit withstand rating.

Thermoset body.

- Provides high resistance to electrical arc tracking.
- Withstands high temperatures.
- Excellent dimensional stability.
- Superior dielectric strength.



30A, 40A & 50A

#10 Brass terminal screw.

Clamping plate for secure back or side wiring.

Optional side guard.

For close wall applications and finger safe environments.



Four large silver alloy contacts per pole.

- Excellent conductivity.
- Maximum longevity.

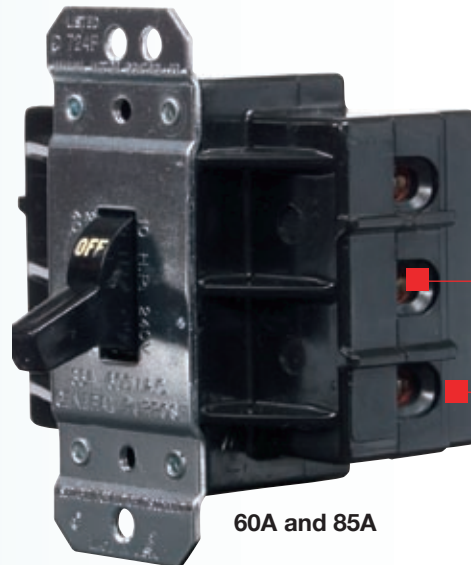
100% Copper contact arm.

- High heat management.
- Reliability.



Lubrication-free controller.

- Continued on/off cycling even in harsh, dust and high heat environments.



60A and 85A

Steel screws and copper terminals.

Recessed wiring wells.

Finger safe environments.

HUBBELL Advantage

- Safely Terminate Power at any Point in the Circuit.
- Flexible Disconnect Placement.
- The Industry's Broadest Offering.




Wiring Device-Kellems

Hubbell's CIRCUIT-LOCK®


Manual Motor Controllers "Suitable as Motor Disconnects"

QUICK REFERENCE

Toggle Switches

Catalog Numbers	Amps	Description	Phase	Poles	HP			
					120	240	480	600
 HBL7832D	30	Toggle Switch	1	2	2	5	10	15
HBL7832DS	30	Short Toggle Switch	1	2	2	5	10	15
HBL7810D	30	Toggle Switch	3	3	3	7.5	15	20
HBL7810DS	30	Short Toggle Switch	3	3	3	7.5	15	20
HBL7842D	40	Toggle Switch	1	2	2	5	10	15
HBL7843D	40	Toggle Switch	3	3	3	7.5	15	20
HBL7852D	50	Toggle Switch	1	2	2	5	10	15
HBL7853D	50	Toggle Switch	3	3	3	7.5	15	25
HBLFG30	—	Finger guard (30-50A Switches)						
HBL7862D	60	Toggle Switch	1	2	—	10	15	20
HBL7863D	60	Toggle Switch	3	3	—	10	25	30
HBL7862FWD	60	Toggle Switch - Front Wire	1	2	—	10	15	20
HBL7863FWD	60	Toggle Switch - Front Wire	3	3	—	10	25	30
HBL7882D	85	Toggle Switch	1	2	—	10	15	20
HBL7883D	85	Toggle Switch	3	3	—	10	25	40

Toggle Switches in Enclosures

Catalog Numbers	Amps	Description	Phase	Poles	HP			
					120	240	480	600
 HBL1372D	30	NEMA 1 Aluminum	1	2	2	5	10	15
HBL1379D	30	NEMA 1 Aluminum	3	3	3	7.5	15	20
HBL1392D	30	NEMA 1 Plastic	1	2	2	5	10	15
HBL1389D	30	NEMA 1 Plastic	3	3	3	7.5	15	20
HBL13R22D	30	NEMA 3/3R Plastic	1	2	2	5	10	15
HBL13R23D	30	NEMA 3/3R Plastic	3	3	3	7.5	15	20
HBL13R12D	30	NEMA 3R Die Cast Aluminum	1	2	2	5	10	15
HBL13R13D	30	NEMA 3R Die Cast Aluminum	3	3	3	7.5	15	20
HBL13R92D	30	NEMA 3R Aluminum	1	2	2	5	10	15
HBL13R89D	30	NEMA 3R Aluminum	3	3	3	7.5	15	20
HBL16R92D	60	NEMA 3R Aluminum	1	2	—	10	15	20
HBL16R93D	60	NEMA 3R Aluminum	3	3	—	10	25	30
HBLDS3	30	NEMA 4X Non-Metallic	3	3	1	7.5	15	15
HBLDS6	60	NEMA 4X Non-Metallic	3	3	7.5	30	50	50
HBLDS10	100	NEMA 4X Non-Metallic	3	3	7.5	30	50	50
HBL13S33D	30	NEMA 4X Stainless Steel	3	3	3	7.5	15	20
HBL16S63D	60	NEMA 4X Stainless Steel	3	3	—	10	25	30
FDS30	30	NEMA 4X Non-Metallic Fused Disconnect	3	3	2	7.5	15	20
FDS60	60	NEMA 4X Non-Metallic Fused Disconnect	3	3	3	15	30	40

Printed In U.S.A. Specifications subject to change without notice.

© Registered trademark of Hubbell Incorporated. CIRCUIT-LOCK® is a Registered trademark of Hubbell Wiring Device-Kellems.

H5184

Hubbell Incorporated (Delaware) • 185 Plains Road • Milford, CT 06460-2420 • (203) 882-4800 • FAX (800) 255-1031

