

Non-metallic enclosure meets UL 50 Type 4X (watertight) 12K (dust-tight) and IP66 suitability requirements. Enclosure is molded of rugged thermoplastic Valox® to resist abuse, corrosion and enhance safety. All external hardware is stainless steel.

Three “molded in” conduit drill points are located on the top, bottom, and back surface of enclosure. Conduit hub provided: 30A 1" NPT, 60A 1¼" NPT.

Adjustable mounting ears for ease of installation.



Stainless steel 1/4" turn door fasteners for quick, easy access to fuses.

Removable door for ease of wiring and installation.

Thermoset polyester contact carrier provides resistance to electrical tracking and withstands higher temperatures. Thermoset properties provide excellent dimensional stability, low moisture absorption, and superior dielectric strength.



Spring-loaded receptacle liftcover with gasket ensures dust tight rating; liftcover provides watertight seal when turned and locked.

HBL460MIFS

Ordering Information

Style II - Fused Mechanical Interlocks

**3 Pole 4 Wire,
250VDC/600VAC**



Amps	Poles/ Wires	Voltage	Receptacle Configuration*	Catalog Numbers	Mating Plug Catalog Numbers
30A	3P 4W	250VDC/600VAC		HBL430MIFS2W	HBL430PS2W
60A	3P 4W	250VDC/600VAC		HBL460MIFS2W	HBL460PS2W

Style II - Unfused Mechanical Interlocks

**3 Pole 4 Wire,
250VDC/600VAC**



Amps	Poles/ Wires	Voltage	Receptacle Configuration*	Catalog Numbers	Mating Plug Catalog Numbers
30A	3P 4W	250VDC/600VAC		HBL430MIS2W	HBL430PS2W
60A	3P 4W	250VDC/600VAC		HBL460MIS2W	HBL460PS2W

Auxiliary Contacts

Description

Auxiliary contact, normally open, A600 pilot duty.
Auxiliary contact, normally closed, A600 pilot duty.

Catalog Numbers

ACFSNO
ACFSNC

Water Tight Closure Plug Kits

Description

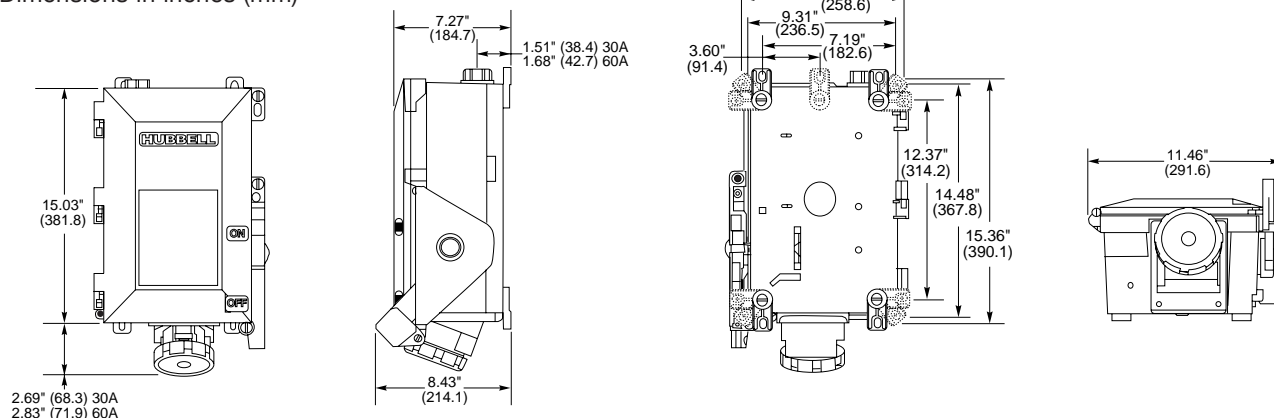
For 30A Circuit-Lock® unfused and fused Pin & Sleeve mechanical interlock.
For 60A Circuit-Lock unfused and fused Pin & Sleeve mechanical interlock.

Catalog Numbers

MICPK30
MICPK60

Dimensions

Dimensions in inches (mm)



Typical Specifications

Manufacturer's Identification	Hubbell HBL460MIFS2W.
Description	Fused Insulgrip® Pin and Sleeve Mechanical Interlock.
Electrical Type	3 Pole + Earth.
Rating	60A, 250VDC/600VAC.
Configuration	Per UL 1686 C1.
Enclosure Type (UL 50)	Outdoor-4X (Watertight, Washdown) Indoor 12K (Dust Tight, Falling Dirt).
Ingress Protection	IP66 Suitability.
Certification	UL Listed, CSA Certified.

This device provides fused switched control of a plug connected load and includes an interlocking feature to prevent the plug from being disconnected or the door from opening while the receptacle is energized. The switch cannot be turned on until the plug is fully inserted.

Materials

Part	Materials
Base, Door and Handle	Valox®
Conduit Hub	Zinc Watertight, 30A-1", 60A-1¼" NPT
Enclosure Gasket and Shaft Seal	Neoprene
Shaft and Mounting Inserts	Brass
Ground Plate	Galvanized Steel
Enclosure Screws & Hinge Spring	Stainless Steel
Hinge Pin	Nickel-Plated Brass
Contact Carrier	Thermoset Polyester

Horsepower Ratings

30A Horsepower Ratings						60A Horsepower Ratings					
3 Phase A.C.			1 Phase A.C.			3 Phase A.C.			1 Phase A.C.		
	Std.	Max.		Std.	Max.		Std.	Max.		Std.	Max.
200-240V	3.0	7.5	120V	0.5	2.0	200-240V	7.5	15.0	120V	1.5	3.0
480V	5.0	15.0	240V	1.5	3.0	480V	15.0	30.0	240V	3.0	10.0
600V	7.5	20.0				600V	15.0	50.0			

Also Available from Hubbell...

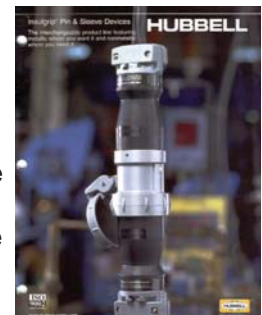
Insulgrip® Pin & Sleeve Devices



Hubbell offers a complete line of 30, 60 100 and 200 Amp Insulgrip® plugs, connectors, receptacles, back boxes and accessories.

Different from traditional all-metallic devices, Hubbell Insulgrip Pin & Sleeve are designed to provide metallic shrouding where you want it and a non-metallic housing where you need it.

To find out more about Hubbell's complete line of Pin & Sleeve products visit www.hubbell-catalog.com. Or to order the Insulgrip® Pin & Sleeve Brochure, visit www.hubbellnet.com/newsrelease.



H4634

Performance

Electrical

Dielectric Voltage	Withstands 3,000VAC Min.
Max. Working Voltage	250VDC/600VAC.
Current Interrupting	Certified for current interrupting at full rated current and voltage.
Short Circuit Withstand Rating	Suitable for use on a circuit capable of delivering not more than 100,000 RMS symmetrical amperes at the voltage rating of receptacle.
Operations	Mechanical 10,000 cycles minimum.

Mechanical

Impact Resistance	In accordance with UL 746C.
Terminal Identification	In accordance with UL, CSA and international conventions.
Product Ratings	Ratings are part of the external label and molded into the receptacle housing.
Mounting	External adjustable feet.

Environmental

Moisture Resistance	Outdoor-4X (Watertight, Washdown) Indoor - 12K (Dusttight, Falling dirt).
Ingress Protection	IP66 Suitability.
Flammability	UL94-5VA and V-0 Classification.
Operating Temperatures	Max. Continuous +60°C; Min. Continuous -40°C w/o impact.
UV Resistance	All exposed insulating materials are UV stabilized.
Fuse Types	UL Listed Class "J". CSA Certified HRCI-J.



Wiring Device-Kellems

www.hubbellcatalog.com/wiring