

Twist-Lock® Devices
30 Ampere, 3Ø 480 and 3Ø 600 Volts AC
 3 Pole, 4 Wire Grounding
Insulgrip® Connector Bodies and Receptacles



Connector Bodies

Watertight Safety-Shroud®		IP66 SUITABILITY	
Description	Cord Dia.	Catalog Numbers	
Black Valox® housing, white Valox® clamps.	.35"-1.15" (9-29)	HBL2733SW	HBL2743SW
Insulgrip		IP20 SUITABILITY	
Description	Cord Dia.	Catalog Numbers	
Black and white nylon.	.35"-1.15" (9-29)	HBL2733	HBL2743
Corrosion resistant, yellow nylon.	.35"-1.15" (9-29)	HBL27CM33	HBL27CM43

Accessories on page B-53.



HBL2733SW

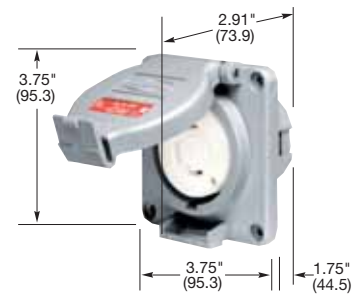


HBL2733

Receptacles

Watertight Safety-Shroud, Back Wired		IP66 SUITABILITY	
Description		Catalog Numbers	
Gray Valox® housing and flange.		HBL2730SW	HBL2740SW
Safety-Shroud Twist-Lock, Back Wired		IP20 SUITABILITY	
Description		Catalog Numbers	
Gray Valox® angle housing, one gang.		HBL2730AR	HBL2740AR
Gray Valox® surface mounting, one gang.		HBL2730SR	HBL2740SR
Gray Valox® semi-flush, two gang.		HBL2730SR2	HBL2740SR2

Accessories on page B-54.



HBL2730SW

Single Flush, Back and Side Wired		IP20 SUITABILITY	
Description		Catalog Numbers	
Black nylon face.		HBL2730	HBL2740

Accessories on page B-52.



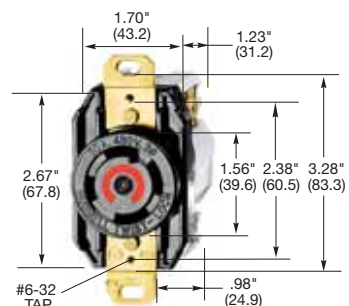
HBL2730AR

Insulgrip Flanged Receptacles		Catalog Numbers	
Description		Catalog Numbers	
Nylon casing, back wired.		HBL2736	HBL2746

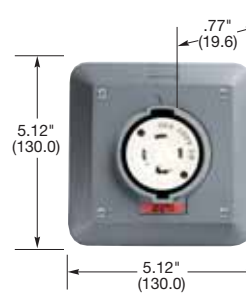
Accessories on page B-52.



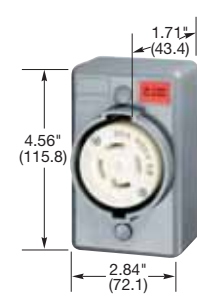
HBL2736



HBL2730



HBL2730SR2



HBL2730SR

Valox® is a trademark of SABIC Innovative Plastics, acquired from General Electric Company.



Watertight Safety-Shroud® Twist-Lock® Devices

Technical Information

20 and 30 Ampere

Specifications

Listings

Listed to UL Standard 498 (Attachment Plugs and Receptacles).

Certified to CSA Standard No.42 (General Use Receptacles, Attachment Plugs and Similar Wiring Devices).

Fed. Spec. WC-596.

UL Listed, CSA Certified to Type 4, 4X and Type 12.

Part	Materials
Watertight Safety-Shroud® Plug (Insulgrip®)	20 and 30A
Blade Holder	Natural (white) nylon
Terminal Retainer	Clear polycarbonate
Cover (Housing)	Black Valox®
Cord Clamp	White Valox®
Blades	Brass
Terminal Clamp	Steel, nickel plated .080" curved scalloped
Terminal Screws	10-32 brass (white finish on neutral screw when used) multiple drive head
Grounding Screw	Brass (green finish) combination head
Cord Clamp Screws	Stainless steel 302/304, combination head
Body Holding Screws	Stainless steel 302/304, combination head
Closure Cap and Strap	Neoprene EPDM Blend
Watertight Safety-Shroud Connector (Insulgrip®)	20 and 30A
Body Contact Carrier	Natural (white) nylon
Terminal Retainer	Clear polycarbonate
Contact Spring	Brass
Spring Binding Plate	Brass
Cover (Housing)	Black Valox®
Cord Clamp	White Valox®
Terminal Clamp	Steel, nickel plated .080" curved scalloped
Terminal Screws	10-32 brass (white finish on neutral screws when used) multiple drive head
Grounding Screw	Brass (green finish) combination head
Cord Grip Screws	Stainless steel 302/304, combination head
Body Holding Screws	Stainless steel 302/304, combination head
Closure Cap and Strap	Polypropylene with Neoprene gasket
Watertight Safety-Shroud Receptacle, Single*	20 and 30A
Housing and Flange	Gray Valox
Body Contact Carrier	Natural (white) nylon
Terminal Retainer	Clear polycarbonate
Drive Screws	Steel, zinc plated
Contact Spring	Brass
Spring Binding Plate	Brass
Terminal Clamp	Steel, nickel plated .080" curved, scalloped
Flange Gasket	Closed-cell neoprene foam
Lid Gasket	Closed-cell neoprene foam
Cover Hinge Pin	Stainless steel 302/304
Cover Spring	Stainless steel 302/304
Terminal Screws	10-32 brass (white finish on neutral screw when used) multiple drive head
Grounding Screw	Brass (green finish) combination head
Mounting Screws	Stainless steel 302/304 combination head
Watertight Safety-Shroud Flanged Inlet	20 and 30A
Housing and Flange	Gray Valox
Blade Holder	Natural (white) nylon
Terminal Retainer	Clear polycarbonate
Blades	Brass
Drive Screws	Steel, zinc plated
Terminal Clamp	Steel, nickel plated .080" curved scalloped
Terminal Screws	10-32 brass (white finish on neutral screw - when used) multiple drive head
Grounding Screw	Brass (green finish) combination head
Closure Cap	Neoprene EPDM blend
Mounting Screws	Stainless steel 302/304 combination head

Performance

Electrical	
Dielectric Voltage	Withstands 2,000V minimum.
Max. Working Voltage	600 Volts RMS.
Current Interrupting	Certified for current interrupting at full rated current.
Temperature Rise	Max 30 deg. temperature rise at full rated current after 250 cycles of overload at 200% of rated current at a power factor of 75% (WC 596).

Mechanical

Cord Accommodation (Plugs and connectors only)	Round portable service cords of diameters commensurate with the device rating as defined in UL Standard 62, CSA C22.2 No. 49.
Cord Grip Accommodation	20 and 30A, 3W: .32"- .93" (8.1-24.0mm) #16-3 Type SJ-#8-3 Type S,SO; 20 and 30A, 4W: .35"-1.15" (9.0-29.2mm) #16-4 Type SJ-#8-4 Type S, SO; 20 and 30A, 5W: .35"-1.15" (9.0-29.2mm) #16-5 Type S,SO - #8-5 Type S,SO. Terminals identified in accordance with UL 498 (X, Y, Z, White, Green).
Terminal Identification	#16- #8 AWG solid or stranded copper wire only.
Terminal Accommodation	Ratings are a permanent part of the device blade holder, and are also labeled on device color coded by voltage, visible in use. Catalog No. I.D. is on device visible in use.
Product Identification	

Environmental

Moisture Resistance	Type 4, 4X, 12, IP66 suitability.
Flammability (Enclosure)	V0 per UL94 or CSA 22.2 No. 0.17.
Operating Temperatures	Maximum Continuous 75°C; Minimum -40°C (w/o impact).

Note: *Suitable for use as a flanged receptacle.

Valox® is a trademark of SABIC Innovative Plastics, acquired from General Electric Company.