

NEMA 3R Disconnect Switches

"Suitable as Motor Disconnects"



SHARED FEATURES

All aluminum cover and base.

- Base is pre-drilled for rear surface mounting.

Rain tight drip shield top.

- Rolled seamless sides.

Wiring conduit knockouts.

- 1/2" NPT K.O. for 30A.
- 3/4" -1" NPT K.O. for 60A.
- Top, bottom or back wire entry points.



■ **CIRCUIT-LOCK®** NEMA Type 3R enclosures are "Suitable as Disconnect" when used with the 30 or 60 amp controller/disconnect.

■ Front activated lever allows mounting in tight spaces.



HBL16R93D



HBL13R89D

CIRCUIT-LOCK® NEMA 3R Enclosures with Switch

Order Information

Ideal for use in outdoor environments.

HP Rating

Amp	Poles	120V AC	240V AC	480V AC	600V AC	Catalog Numbers
30	2	2	5	10	15	HBL13R92D
30	3	3	7.5	15	20	HBL13R89D
60	2	—	10	15	20	HBL16R92D
60	3	—	10	25	30	HBL16R93D

Note: For switch specifications refer to pages 2 and 3.



HBL13R89D

HBL16R93D

CIRCUIT-LOCK® NEMA 3R Enclosures without Switch

Order Information

For use with switches shown on pages 3 and 4.

Description

For use with 30A switch.

Catalog Numbers

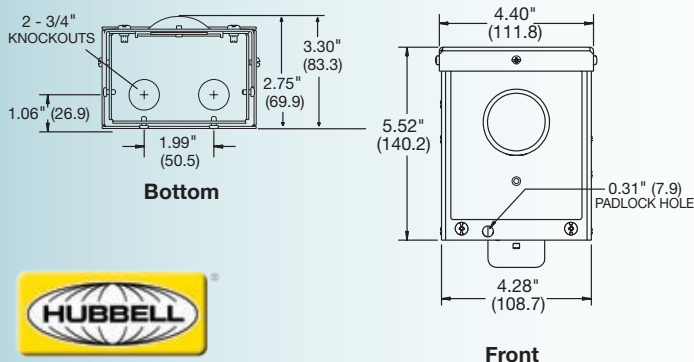
HBL13R90

For use with 60A switch.

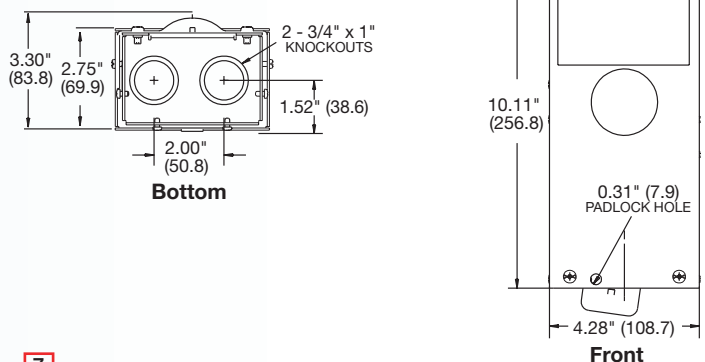
HBL16R90

Dimensional Drawings

HBL13R90, HBL13R89D and HBL13R92D



HBL16R90, HBL16R92D and HBL16R93D






Hubbell's CIRCUIT-LOCK®







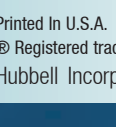
Manual Motor Controllers "Suitable as Motor Disconnects"

QUICK REFERENCE

Toggle Switches

Catalog Numbers	Amps	Description	Phase	Poles	HP			
					120	240	480	600
 HBL7810D	30	Toggle Switch	1	2	2	5	10	15
HBL7832D	30	Toggle Switch	1	2	2	5	10	15
HBL7832DS	30	Short Toggle Switch	1	2	2	5	10	15
HBL7810D	30	Toggle Switch	3	3	3	7.5	15	20
HBL7810DS	30	Short Toggle Switch	3	3	3	7.5	15	20
HBL7842D	40	Toggle Switch	1	2	2	5	10	15
HBL7843D	40	Toggle Switch	3	3	3	7.5	15	20
 HBL7853D	50	Toggle Switch	1	2	2	5	10	15
HBL7853D	50	Toggle Switch	3	3	3	7.5	15	25
HBLFG30	—	Finger guard (30-50A Switches)						
HBL7862D	60	Toggle Switch	1	2	—	10	15	20
HBL7863D	60	Toggle Switch	3	3	—	10	25	30
HBL7862FWD	60	Toggle Switch - Front Wire	1	2	—	10	15	20
HBL7863FWD	60	Toggle Switch - Front Wire	3	3	—	10	25	30
 HBL7863D	85	Toggle Switch	1	2	—	10	15	20
HBL7882D	85	Toggle Switch	1	2	—	10	15	20
HBL7883D	85	Toggle Switch	3	3	—	10	25	40

Toggle Switches in Enclosures

Catalog Numbers	Amps	Description	Phase	Poles	HP			
					120	240	480	600
 HBL1379D	30	NEMA 1 Aluminum	1	2	2	5	10	15
HBL1379D	30	NEMA 1 Aluminum	3	3	3	7.5	15	20
 HBL1392D	30	NEMA 1 Plastic	1	2	2	5	10	15
HBL1389D	30	NEMA 1 Plastic	3	3	3	7.5	15	20
 HBL13R22D	30	NEMA 3/3R Plastic	1	2	2	5	10	15
HBL13R23D	30	NEMA 3/3R Plastic	3	3	3	7.5	15	20
 HBL13R92D	30	NEMA 3R Die Cast Aluminum	1	2	2	5	10	15
HBL13R13D	30	NEMA 3R Die Cast Aluminum	3	3	3	7.5	15	20
HBL13R92D	30	NEMA 3R Aluminum	1	2	2	5	10	15
HBL13R89D	30	NEMA 3R Aluminum	3	3	3	7.5	15	20
 HBL16S33D	60	NEMA 3R Aluminum	1	2	—	10	15	20
HBL16R93D	60	NEMA 3R Aluminum	3	3	—	10	25	30
 HBLDS3	30	NEMA 4X Non-Metallic	3	3	1	7.5	15	15
HBLDS6	60	NEMA 4X Non-Metallic	3	3	7.5	30	50	50
HBLDS10	100	NEMA 4X Non-Metallic	3	3	7.5	30	50	50
 FDS30	30	NEMA 4X Stainless Steel	3	3	3	7.5	15	20
HBL16S63D	60	NEMA 4X Stainless Steel	3	3	—	10	25	30
FDS30	30	NEMA 4X Non-Metallic Fused Disconnect	3	3	2	7.5	15	20
FDS60	60	NEMA 4X Non-Metallic Fused Disconnect	3	3	3	15	30	40

Printed In U.S.A. Specifications subject to change without notice.

© Registered trademark of Hubbell Incorporated. CIRCUIT-LOCK® is a Registered trademark of Hubbell Wiring Device-Kellems.

H5184

Hubbell Incorporated (Delaware) • 185 Plains Road • Milford, CT 06460-2420 • (203) 882-4800 • FAX (800) 255-1031

