

Slim LED Pucklight with stippled lens features flexible in-out connections which allow you to combine pucklights and linear models



<b>Project</b>	
<b>Type</b>	
<b>Date</b>	
<b>Notes</b>	

### APPLICATIONS

**Ideal for task lighting, kitchen cabinets, closets, display cases and offices.**

### SPECIFICATIONS

#### Construction

Brushed nickel housing with stippled lens. Flexible in-out connections allow you to combine puck lights in series or combine with linear models such as the UCA, UC or UCT series. The UCP2 connects to hardwired or plugin power supplies (sold separately). The fixture comes with one pucklight, one screw, and one cable connector.

#### Optics

LEDs have a color temperature of 4000K natural white and are also available as 3,000K warm white. The operating temperature range is -40°C to +40°C. LED life of 100,000 hours.

#### Electrical

Total system wattage of the unit is 3W. Fixture uses plugin and hardwire 24VDC drivers. 12V DC is available as an option.

#### Mounting

Fixture can be surface mounted or recessed underneath desired areas.

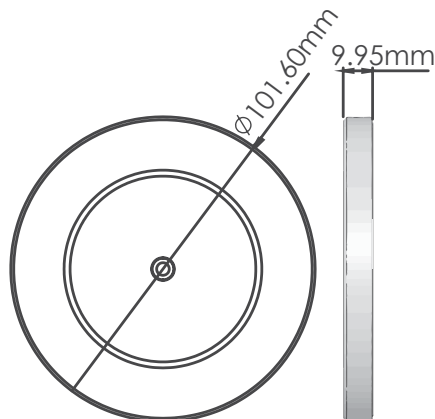
#### Finish

Standard finish is brushed nickel.

<b>Input Watts</b>	<b>3W</b>
<b>Lumens</b>	<b>231</b>
<b>Efficacy</b>	<b>52 lumens per watt</b>

<b>Operating Temperature</b>	<b>-40°C to +40°C</b>
<b>Certification</b>	<b>cULus</b>
<b>Warranty</b>	<b>5 Years</b>
<b>Colour Temperature</b>	<b>4000K (natural white) 3000K (warm white)</b>
<b>LED life</b>	<b>100,000 hours</b>
<b>Voltage</b>	<b>24V DC (standard) 12V DC (option)</b>
<b>Mounting</b>	<b>surface mount recessed</b>

### DIMENSIONS



**Flexible power in/power out connections allow you to combine pucklights in series.**



---

ORDERING GUIDE



**COLOUR TEMP**

- WW - (warm white) 3000K**
- NW - (natural white) 4000K**

\* Standard configuration