

New improved LED vapourproof fixture that is rugged in design, easy to install and has a high lumen output.



APPLICATIONS

Ideal for underground parking garages, industrial plants and agricultural applications.

Project	
Type	
Date	
Notes	

SPECIFICATIONS

Construction

Housing is made of galvanized sheet metal with aluminum end caps. The LFW-LED has a specular aluminum reflector and a tempered glass lens as standard. Tempered glass lens has high lumen transmittance and stands up to high temperature environments.

LED information

The fixture contains a high efficiency LED Strip that delivers a total lumen output of 7082 lumens at an efficacy of approx 120 lumens/watt. LEDs have a colour temperature of 4000K as standard.

Electrical

Total system wattage of the unit is 59W. The standard unit has a high efficiency driver that operates at 120 - 277V. 347V is available as an option. Fixture can be through-wired leading to reduced installation time. Daisy chain 16 units in a single run.

Mounting

Fixture comes with 2 stainless steel mounting brackets that facilitate easy and quick mounting direct on the wall or ceiling.

Finish

Fixture has a chemical resistant polyester powder coat grey finish

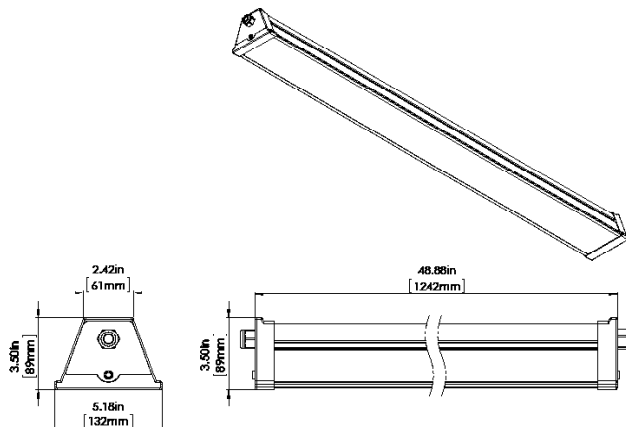
Options

- 0-10V dimming

Watts	59W
Equivalent to	>3 lamp T5 fluorescent fixture
Lumens	7082
Efficiency	120 lumens per watt

Operating Temperature	-40°C to +40°C
Certification	cULus, IP66
LED Life	100,000 hours
Colour Temperature	4000K (standard)
Warranty	5 years
Weight	7 lbs

DIMENSIONS



Easy installation & maintenance

Fixture is designed for through-wiring leading to reduced installation time. LED array and driver slide in and out for easy maintenance.



ORDERING GUIDE

LFW	-	LED60	-		-		-			
				VOLTAGE		COLOUR TEMP		LENS		OPTIONS
				B - 120 - 277V* C - 347V		4K - 4000K*		TG - TEMPERED GLASS*		DIM - 0 - 10V dimming

* Standard configuration