

LED wall light that is compact in design, has an easy installation feature and efficiency of over 100 lumens/watt.



### APPLICATIONS

**Ideal for building entrances and exits, offices, condominiums, and schools.**

<b>Project</b>	
<b>Type</b>	
<b>Date</b>	
<b>Notes</b>	

### SPECIFICATIONS

#### Construction

Die cast aluminum housing and backbox with stainless steel hardware. Fixture has a vandal-proof clear, polycarbonate lens. There are 4 conduit entries, one in the back, one on the bottom, and one on each side.

#### Mounting

The fixture can be wall mounted onto a junction box or directly on the wall.

#### LED Configuration

The GWL3-LED50 has a colour temperature of 5000K and delivers 4993 lumens at an efficiency of 100 lumens/watt. The fixture has a custom designed reflector for downward wide beam dispersion.

#### Electrical

Total system wattage of the unit is 50W. The standard unit has a high efficiency driver that operates at 120 - 277V. 347V available as an option.

#### Easy Installation

The unit is designed to hook and secure itself on top of the housing so installer can use both hands to connect wires easily. The backbox has a built-in level bubble to facilitate mounting alignment.

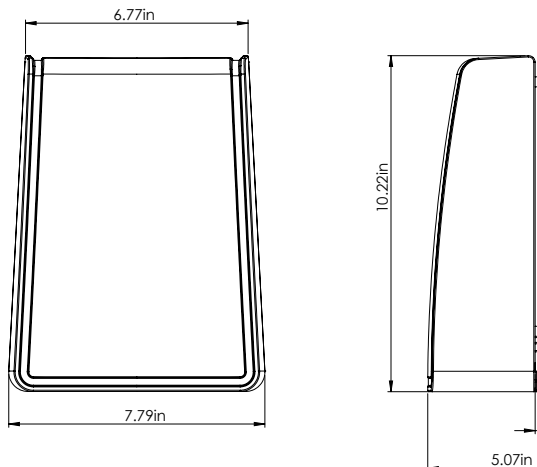
#### Finish

Available in a Bronze finish.

<b>Fixture Watts</b>	<b>50W</b>
<b>Lumens</b>	<b>4993</b>
<b>Efficiency</b>	<b>100 lumens/watt</b>
<b>Equivalent to</b>	<b>up to 150W MH</b>

<b># of conduit entries</b>	<b>4</b>
<b>Voltage</b>	<b>120-277V</b>
<b>Colour Temp</b>	<b>5000K</b>
<b>LED Life</b>	<b>100,000 hours</b>
<b>Warranty</b>	<b>5 Years</b>
<b>Working Temp</b>	<b>-40°C to +40°C</b>
<b>Certification</b>	<b>cULus, DLC, IP65</b>

### DIMENSIONS



INSTALLATION INFORMATION

1. Open fixture, mount back box to junction box



2. Hook fixture on top of the housing and easily connect wires using both hands



3. Unhook fixture from housing, flip over and reattach fixture to housing



4. Push fixture against housing and tighten screw(s) below lens



ORDERING GUIDE

<b>GWL3</b>	-	<b>LED50</b>	-		-		-	
				<b>VOLTAGE</b>		<b>COLOR TEMP</b>		<b>FINISH</b>
				<b>B - 120 - 277V*</b> <b>C - 347V</b>		<b>5K - 5000K*</b>		<b>BRZ - BRONZE*</b>

\* Standard configuration