

New improved LED vapourproof fixture that is rugged in design, easy to install and has a high lumen output.



### APPLICATIONS

**Ideal for underground parking garages, industrial plants and agricultural applications.**

<b>Project</b>	
<b>Type</b>	
<b>Date</b>	
<b>Notes</b>	

### SPECIFICATIONS

#### Construction

Housing is made of galvanized sheet metal with aluminum end caps. The LFW-LED has a specular aluminum reflector and a tempered glass lens as standard. Tempered glass lens has high lumen transmittance and stands up to high temperature environments.

#### LED information

The fixture contains a high efficiency LED Strip that delivers a total lumen output of 5057 lumens at an efficacy of approx 127 lumens/watt. LEDs have a colour temperature of 4000K as standard.

#### Electrical

Total system wattage of the unit is 40W. The standard unit has a high efficiency driver that operates at 120 - 277V. 347V is available as an option. Fixture can be through-wired leading to reduced installation time. Daisy chain 25 units in a single run.

#### Mounting

Fixture comes with 2 stainless steel mounting brackets that facilitate easy and quick mounting direct on the wall or ceiling.

#### Finish

Fixture has a chemical resistant polyester powder coat grey finish

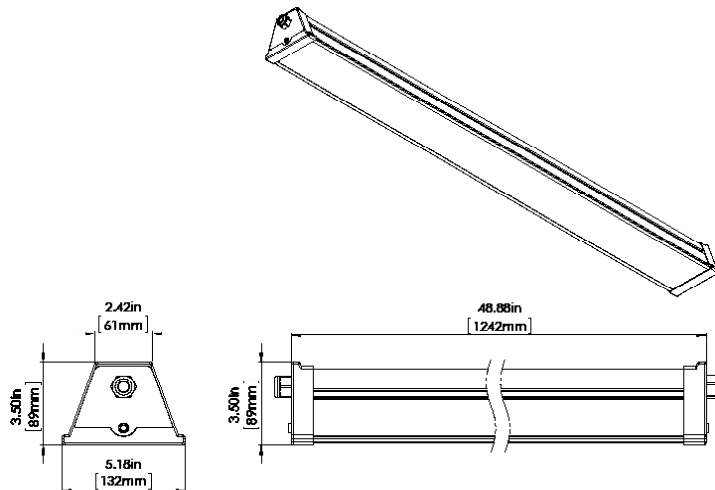
#### Options

- 0-10V dimming

<b>Watts</b>	<b>40W</b>
<b>Equivalent to</b>	<b>3 lamp T8 fluorescent fixture</b>
<b>Lumens</b>	<b>5057</b>
<b>Efficiency</b>	<b>127 lumens per watt</b>

<b>Operating Temperature</b>	<b>-40°C - +40°C</b>
<b>Certification</b>	<b>cULus, IP66</b>
<b>LED Life</b>	<b>100,000 hours</b>
<b>Colour Temperature</b>	<b>4000K (standard)</b>
<b>Warranty</b>	<b>5 years</b>
<b>Weight</b>	<b>7 lbs</b>

### DIMENSIONS



#### Easy installation & maintenance

Fixture is designed for through-wiring leading to reduced installation time. LED array and driver slide in and out for easy maintenance.



ORDERING GUIDE

<b>LFW</b>	-	<b>LED40</b>	-		-		-			
				<b>VOLTAGE</b>		<b>COLOUR TEMP</b>		<b>LENS</b>		<b>OPTIONS</b>
				<b>B - 120 - 277V*</b> <b>C - 347V</b>		<b>4K - 4000K*</b>		<b>TG - TEMPERED GLASS*</b>		<b>DIM - 0 - 10V dimming</b>

\* Standard configuration