

LED Drivers



12 V

| Order code | Description | Output power (W) | Input volts (VAC) | Output volts (VDC) | Input current (mA) | Frequency (Hz) | Power factor | Finish | DC Connector (Yes/No) | IP rating | Case qty (master) |
|---------------------------------|----------------------------------|------------------|-------------------|--------------------|--------------------|----------------|--------------|--------|-----------------------|-----------|-------------------|
| Hardwired - Dimmable | | | | | | | | | | | |
| 65740 ¹ | LED/DRIVER/50W/12V/HW/D/STD | 50 | 100-130 | 12 | 410 | 50/60 | ≥0.95 | White | No | IP20 | 20 |
| Hardwired - Non-dimmable | | | | | | | | | | | |
| 65743 | LED/DRIVER/10W/12V/HW/ND/STD | 10 | 100-240 | 12 | 220 | 50/60 | ≥0.50 | White | No | IP65 | 100 |
| 65744 | LED/DRIVER/20W/12V/HW/ND/STD | 20 | 100-240 | 12 | 250 | 50/60 | ≥0.90 | White | No | IP65 | 100 |
| 65745 | LED/DRIVER/60W/12V/HW/ND/VS/STD | 60 | 100-240 | 12 | 1 100 | 50/60 | ≥0.50 | White | No | IP67 | 30 |
| 65746 | LED/DRIVER/60W/12V/HW/ND/STD | 60 | 90-264 | 12 | 1 400 | 47/63 | ≥0.93 | White | No | IP66 | 10 |
| Plug-in - Non-dimmable | | | | | | | | | | | |
| 62265 ² | LED/TAPE/36W/12V/WW+CW/PS/ND/STD | 36 | 100-240 | 12 | 1 500 | 50/60 | ≥0.80 | White | Yes | IP20 | 100 |

24 V

| Order code | Description | Output power (W) | Input volts (VAC) | Output volts (VDC) | Input current (mA) | Frequency (Hz) | Power factor | Finish | DC Connector (Yes/No) | IP rating | Case qty (master) |
|---------------------------------|------------------------------|------------------|-------------------|--------------------|--------------------|----------------|--------------|--------|-----------------------|-----------|-------------------|
| Hardwired - Dimmable | | | | | | | | | | | |
| 65741 ^{1 3} | LED/DRIVER/50W/24V/HW/D/STD | 50 | 100-130 | 24 | 410 | 50/60 | ≥0.95 | White | No | IP20 | 20 |
| 65742 ^{1 3} | LED/DRIVER/96W/24V/HW/D/STD | 96 | 100-130 | 24 | 800 | 50/60 | ≥0.95 | White | No | IP67 | 10 |
| 64865 ² | LUC/PS/80W/24VDC/HW/D/STD | 80 | 100-130 | 24 | 1 450 | 50/60 | ≥0.65 | Black | Yes | IP20 | 10 |
| Hardwired - Non-dimmable | | | | | | | | | | | |
| 65747 ³ | LED/DRIVER/96W/24V/HW/ND/STD | 96 | 100-277 | 24 | 1 400 | 47/63 | >0.93 | White | No | IP66 | 10 |
| Plug-in - Non-dimmable | | | | | | | | | | | |
| 64573 ² | LUC/PS/36W/24VDC/PLUG/STD | 36 | 100-240 | 24 | 1 200 | 50/60 | >0.50 | Black | Yes | IP20 | 25 |
| 64574 ² | LUC/PS/60W/24VDC/PLUG/STD | 60 | 100-240 | 24 | 1 200 | 50/60 | >0.50 | Black | Yes | IP20 | 25 |

For a complete list of compatible dimmers, please visit www.standardpro.com

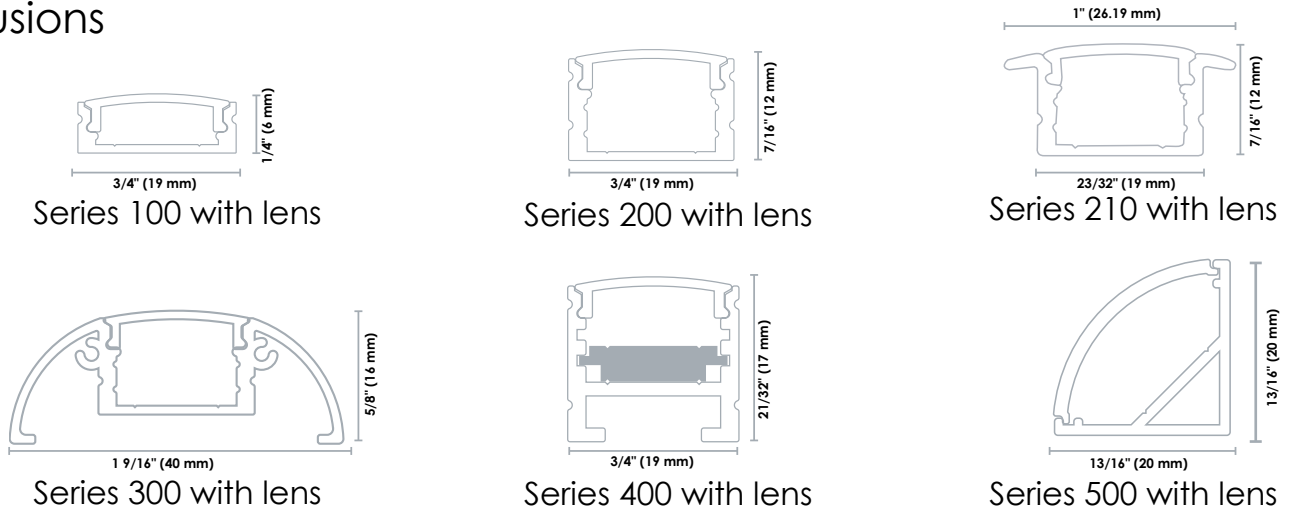
For complete warranty information, please visit www.standardpro.com

¹ Needs to be paired with a wire to DC Female connector (66240)

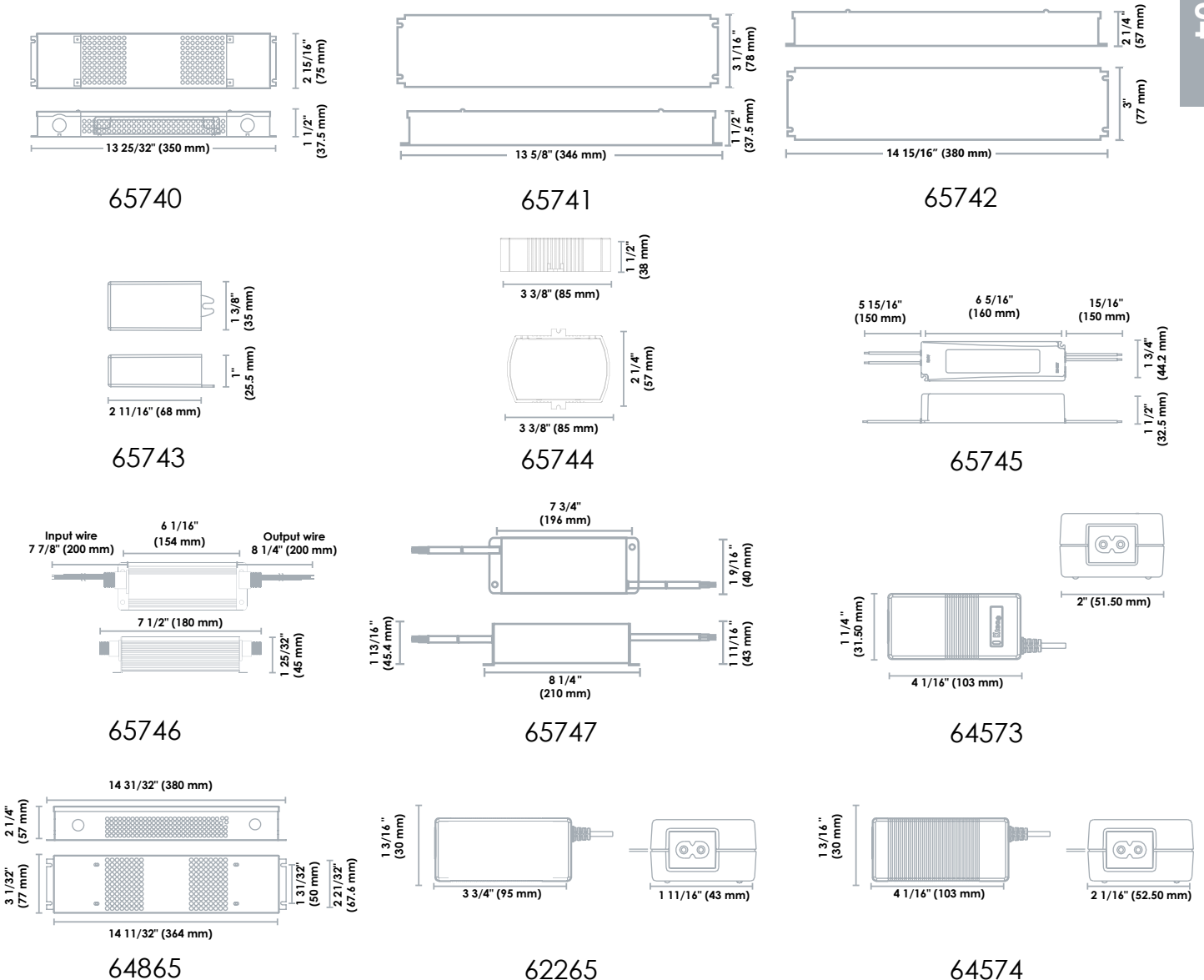
³ If used with Armonia™ LED bars systems : needs to be paired with a wire to DC male connector (66241)

Dimensions Extrusions and LED Drivers

Extrusions



LED Drivers



04