

LED Drivers



12 V

Order code	Description	Output power (W)	Input volts (VAC)	Output volts (VDC)	Input current (mA)	Frequency (Hz)	Power factor	Finish	DC Connector (Yes/No)	IP rating	Case qty (master)
Hardwired - Dimmable											
65740 ¹	LED/DRIVER/50W/12V/HW/D/STD	50	100-130	12	410	50/60	≥0.95	White	No	IP20	20
Hardwired - Non-dimmable											
65743	LED/DRIVER/10W/12V/HW/ND/STD	10	100-240	12	220	50/60	≥0.50	White	No	IP65	100
65744	LED/DRIVER/20W/12V/HW/ND/STD	20	100-240	12	250	50/60	≥0.90	White	No	IP65	100
65745	LED/DRIVER/60W/12V/HW/ND/VS/STD	60	100-240	12	1 100	50/60	≥0.50	White	No	IP67	30
65746	LED/DRIVER/60W/12V/HW/ND/STD	60	90-264	12	1 400	47/63	≥0.93	White	No	IP66	10
Plug-in - Non-dimmable											
62265 ²	LED/TAPE/36W/12V/WW+CW/PS/ND/STD	36	100-240	12	1 500	50/60	≥0.80	White	Yes	IP20	100

24 V

Order code	Description	Output power (W)	Input volts (VAC)	Output volts (VDC)	Input current (mA)	Frequency (Hz)	Power factor	Finish	DC Connector (Yes/No)	IP rating	Case qty (master)
Hardwired - Dimmable											
65741 ^{1 3}	LED/DRIVER/50W/24V/HW/D/STD	50	100-130	24	410	50/60	≥0.95	White	No	IP20	20
65742 ^{1 3}	LED/DRIVER/96W/24V/HW/D/STD	96	100-130	24	800	50/60	≥0.95	White	No	IP67	10
64865 ²	LUC/PS/80W/24VDC/HW/D/STD	80	100-130	24	1 450	50/60	≥0.65	Black	Yes	IP20	10
Hardwired - Non-dimmable											
65747 ³	LED/DRIVER/96W/24V/HW/ND/STD	96	100-277	24	1 400	47/63	>0.93	White	No	IP66	10
Plug-in - Non-dimmable											
64573 ²	LUC/PS/36W/24VDC/PLUG/STD	36	100-240	24	1 200	50/60	>0.50	Black	Yes	IP20	25
64574 ²	LUC/PS/60W/24VDC/PLUG/STD	60	100-240	24	1 200	50/60	>0.50	Black	Yes	IP20	25

For a complete list of compatible dimmers, please visit www.standardpro.com

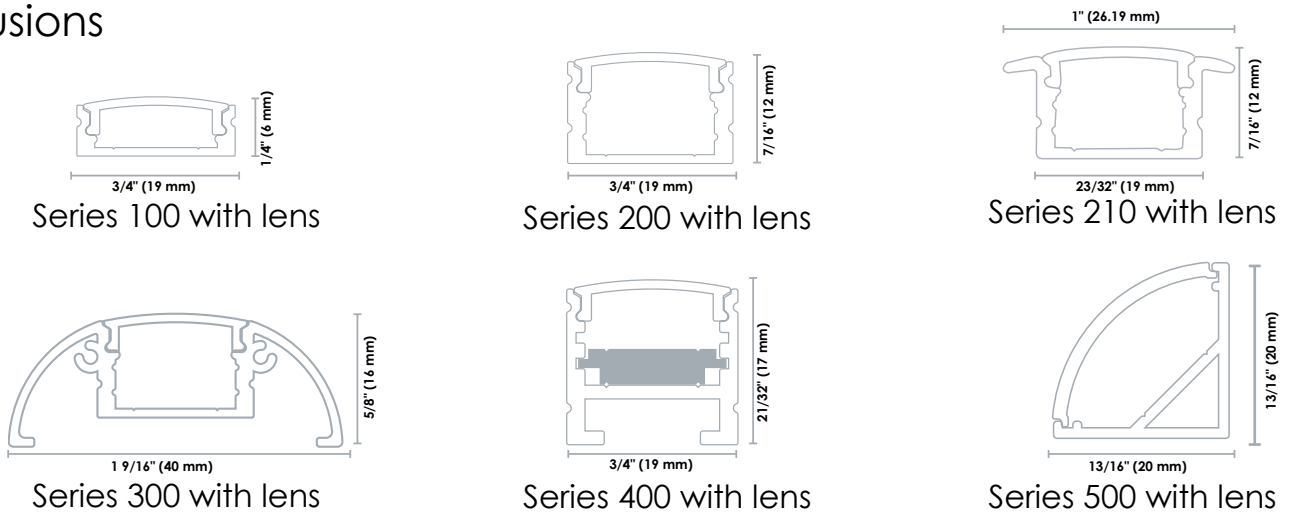
For complete warranty information, please visit www.standardpro.com

¹ Needs to be paired with a wire to DC Female connector (66240)

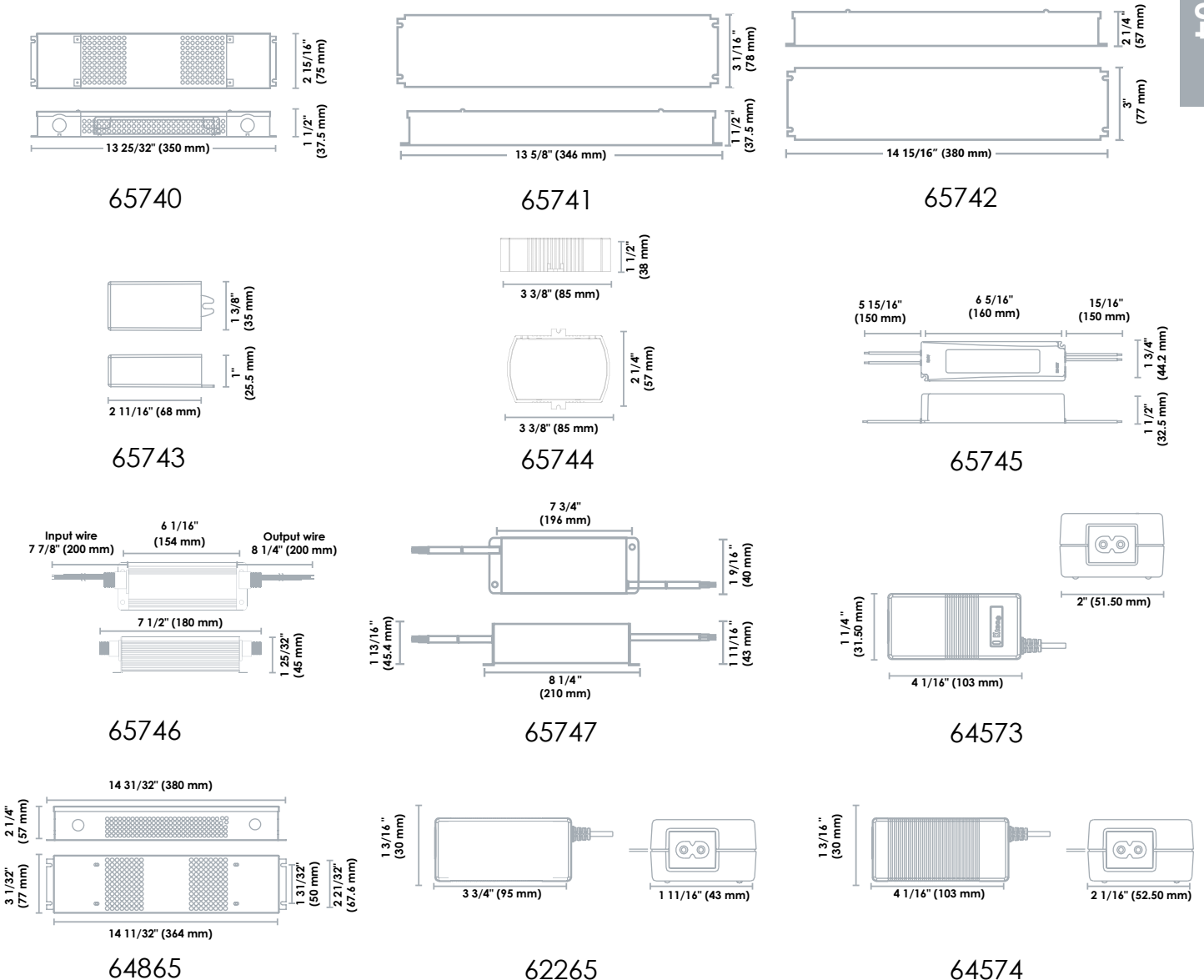
³ If used with Armonia™ LED bars systems : needs to be paired with a wire to DC male connector (66241)

Dimensions Extrusions and LED Drivers

Extrusions



LED Drivers



04