

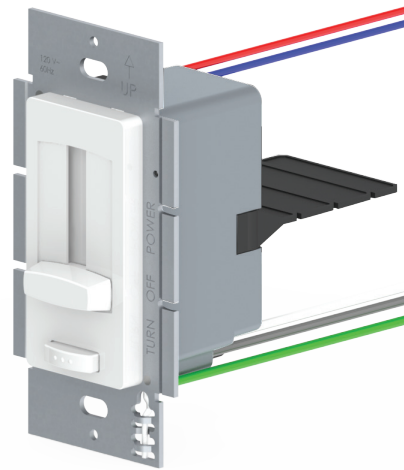


DUOLED LED Hardwired Driver and Dimmer Switch

STANDARD's DUOLED offers an innovative compact design, combining a dimmer switch and an LED hardwired driver. It converts line voltage (120 VAC) into low voltage (12 VDC / 24 VDC), while offering outstanding dimming performances.

Having both products combined into one also eliminates the compatibility issues that are often seen between LED drivers and dimmer switches. DUOLED also offers a timeless and sleek look with a glossy white finish to blend seamlessly with your design.

- Dimmer switch with built-in LED driver
- Converts line voltage (120 VAC) into low voltage (12 VDC / 24 VDC)
- Eliminates compatibility issues between the driver and the dimmer
- Fits in a single gang box
- Excellent dimming performance (1% - 100% dimming)
- Includes voltage barrier partition to install high and low voltage circuit in the same gang box
- No need to find room to put the driver

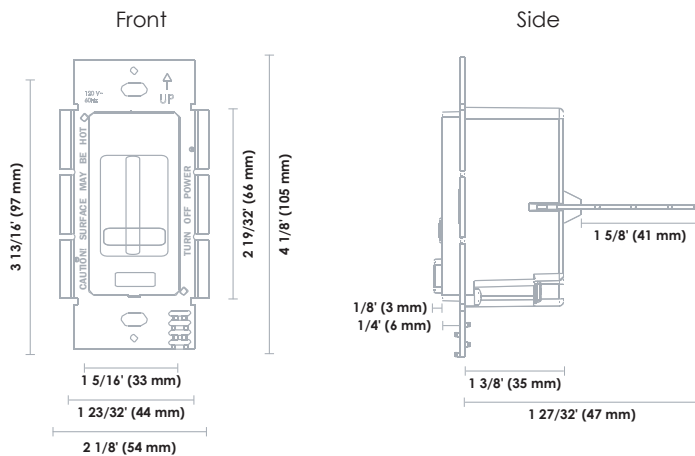


03

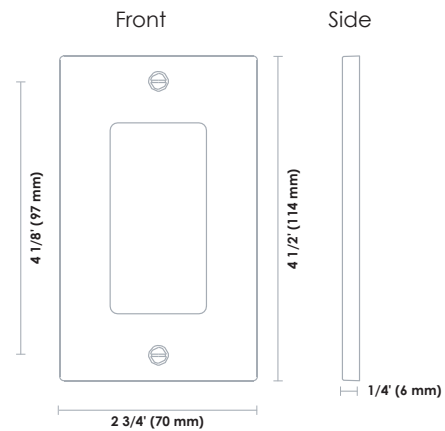
Order Code	Description	Output power (W)	Input voltage (VAC)	Output voltage (VDC)	Input current (mA)	Frequency (Hz)	Power factor	Face plate finish	Life (hrs)	Case qty (master)
67071 ¹	DRIVER-DIMMER/12V/60W/WH/STD	60	120	12	1 000	60	0.9	Glossy White	50 000	25
67072 ¹	DRIVER-DIMMER/24V/100W/WH/STD	100	120	24	1 000	60	0.9	Glossy White	50 000	25

Accessory

Order Code	Description	Finish	Case qty (master)
Trim Plate			
67073	DRIVER-DIMMER/TRIM/WH/STD	Glossy White	100

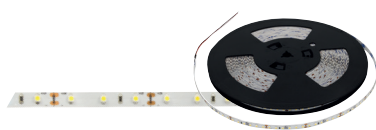


DUOLED



Trim Plate

Compatible STANDARD products



12 V / 24 V LED Tapes



24V Armonia™ LED Bars



¹The trim plate is not included with items 67071 and 67072.