

RA35S-12RG-90 LUNA™ LED

3.5" LUNA™ LED Square Regressed Gimbal Color Selectable Recessed Fixture
Recess Lighting

Job Information		
Project Name		Type
Location		
Quantity		Date
Contact/Phone		
Notes		

Features

Body

Durable airtight aluminum body with adjustable regressed gimbal. Includes anodized blue heat sink to provide maximum airflow for the LED light source.

LED Characteristics

This general application light fixture features a 12 watt LED module that maintains uniform intensity producing up to 680 lumens; with a typical CRI of 90. On-fixture color selectable switch allows switching between 2700 K, 3000 K, 3500 K, 4000 K and 5000 K color temperatures..

Dimming

100%-10% dimming capability. This fixture is compatible with industry standard forward-phase / reverse-phase and TRIAC/ELV dimmers (contact factory for list of compatible dimmers).

Beam Spread

The fixture lens provides 38° beam spread.

Mounting

Includes two spring loaded clips to attached to any ceiling material.

LED Driver

Extruded aluminum hardwire box with 300mA dimmable class II electronic LED driver with 100-135V AC input. Includes an 18" FT6 rated cable with DC 2.1 connector between driver and fixture approved for use in plenums and suspended ceilings.

Quick Connect push-in terminals

Three "Quick connect" push-in terminals for fast and easy wiring.

Operating Temperature

-20°C~40°C (-4°F~104°F)

Environment

- Suitable for wet locations.
- Approved for direct contact with insulation.
- Airtight

QuickShip In-Stock

In-Stock products ship within two business days of an order being released.*

SPECIFICATION	
Application	Ceiling Recess Mount
Approved Location	Wet / Insulated Ceilings
Beam Angle	38°
CCT (color selectable)	2700 K / 3000 K / 3500 K / 4000 K / 5000 K
Certification	cETLus
Class II	Yes
Colour	BB / BK / BN / OB / WH
CRI	90+
Dimming	Yes
Dimming Tech	Forward/reverse-phase TRIAC/ELV
Energy Star	Yes
Hole Cut	Ø 3 3/8" (92mm)
Input	100-135V AC, 60Hz
Lumens	Up to 680
Lumens per Watt	Up to 62
Power Factor	>0.90
Projected Life	70% @ 50,000 hrs
Warranty	Lifetime
Wattage	12W

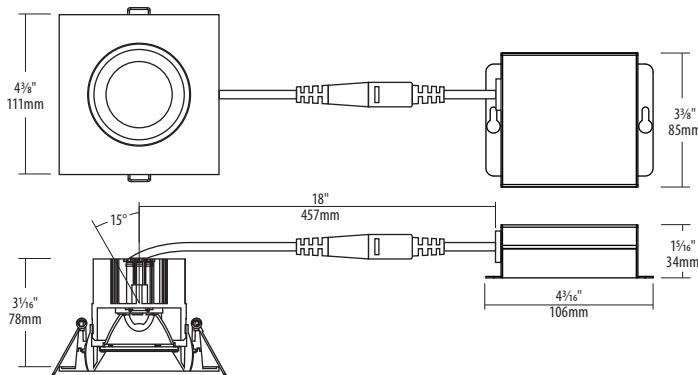


Description

The RA35S-12RG is a 12 watt 3.5" square regressed gimbal recessed light fixture for retrofit application. It is a high-performance, easy to install downlight solution that offers good light output, energy-efficiency and streamlined design. Suitable for damp locations.



Notes: Accessories are sold separately. For additional options please consult your Liteline representative. Due to our continued efforts to improve our products, product specifications are subject to change without notice.



Ordering Guide

RA35S-12RG - 90	Driver Options	Trim Finish
	<p>Leave blank for standard 120V driver</p> <p>L3 : Lutron Hi-Lume® 1% (3-Wire)</p> <p>E : Lutron Hi-Lume® 1% (EcoSystem®)</p> <p>EM : Emergency Backup, 120-277V, 0-10V</p> <p>C : 120-347V, 0-10V</p>	<p>BK : Black</p> <p>BN : Brushed Nickel</p> <p>WH : White</p> <p>BB : Brushed Brass</p> <p>OB : Oil Rubbed Bronze</p>

Highlighted option denotes quick ship.

* QuickShip lead time may vary for orders greater than 100 pieces. No additional shipment rates apply. Subject to availability.

Accessories



SLM-60-FC

60" Flexible connector, for use with SlimLED fixtures.



P-3520

3 $\frac{3}{8}$ " Round pre-mounting plate with driver attachment clip, for 3 $\frac{1}{2}$ " LUNA LED fixtures.



P-NCMK-1

New construction mounting kit. Includes hanger bars, brackets and screws.



VBE-1

Vapour barrier extender. For use in new construction applications.



VBE-2

Vapour barrier extender. For use in remodel applications.



VBE-3

Vapour barrier extender. For use in remodel applications.



VBE-4

Vapour barrier extender. For use in remodel applications.



VBE-5

Vapour barrier extender. For use in new construction applications.