

GFCI Accessories

Single Gang Flush Cover Wallplates — Gray Finish

Mounting Position & Description	Cat. No.	Fits Type of Box
Vertical — Die-Cast Zinc	6196-V	Standard
Horizontal — Die-Cast Zinc	6196	Standard
Vertical — Die-Cast Zinc	6196-VFS	FS (Four Screws)
Horizontal — Die-Cast Zinc	6196-FS	FS (Four Screws)
Horizontal — Die-Cast Zinc	4990	Standard
Vertical — Die-Cast Zinc*	4992	Standard
Horizontal — Plastic	4996	Standard
Vertical — Plastic	4998	Standard

Raintight While-In-Use Covers

Description	Cat. No.	Color
GFCI, Vertical Mount	5977-GY	Gray
GFCI, Vertical Mount w/Extra Deep Cover	5977-DGY	Gray
GFCI, Vertical Mount	5977-CL	Clear
GFCI, Vertical Mount w/Extra Deep Cover	5977-DCL	Clear
GFCI, Horizontal Mount	5997-GY	Gray
GFCI, Horizontal Mount w/Extra Deep Cover	5997-DGY	Gray
GFCI, Horizontal Mount	5997-CL	Clear
GFCI, Horizontal Mount w/Extra Deep Cover	5997-DCL	Clear

GFCI Circuit Tester 15/20A 125V AC

Description	Cat. No.
GFCI Circuit Tester	6185
GFCI Circuit Tester Carrying Case	6182

Temporary Portable Power Distribution Center/GFCI (The Box)

Description	Cat. No.	Inlet	Outlet	NEMA Config.
Power Distribution Box, 6 GFCI-Protected 20A/125V Locking Receptacles; 1 Locking Receptacle 30A/250V*	PB101	50A, 125/250V†	50A, 125/250V†	 6: L5-20R 1: L6-30R
Power Distribution Box, 6 GFCI-Protected 20A/125V Straight Blade Receptacles; 1 Locking Receptacle 30A/125V*	PB103	50A, 125/250V†	50A, 125/250V†	 6: 5-20R 1: L6-30R

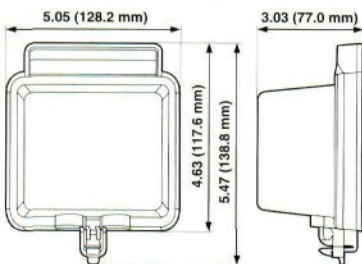
Power Cords

Description	Cat. No.
50 ft. Temporary Power Cord w/Weather-Resistant 50A, 125/250 Plug & Connector	PSC-050
100 ft. Temporary Power Cord w/Weather-Resistant 50A, 125/250 Plug & Connector	PSC-100

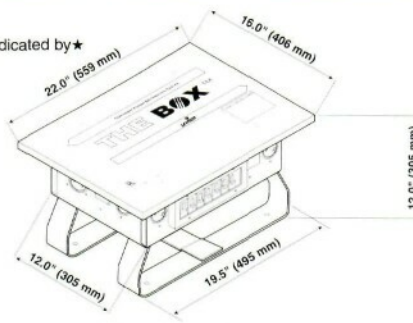
*Non-GFCI-protected

†California Style™ CS locking devices are non-NEMA

All devices are UL Listed. Also CSA Certified except where indicated by*



RAINTIGHT WHILE-IN-USE COVER
Cat. No. 5997-CL



"THE BOX" POWER DISTRIBUTION CENTER
Cat. No. PB101



5977-CL



6185

SPECIFICATIONS & FEATURES

The Box

- For temporary use in industrial & commercial maintenance & repair stations (construction, entertainment, amusement sites, trade shows, convention halls) where portable power is needed
- Weatherproof covers prevent nuisance tripping; prevent moisture from entering contacts
- Clear port hole panel for circuit breaker viewing
- Reinforced metal housing & legs withstand abuse

Power Cords

- Flexible, abrasion-resistant construction for reliable performance to -31°F

TESTING & CODE COMPLIANCE

- Raintight covers satisfy NEC Article 410-57(b) requirements
- Raintight covers are rated NEMA 3R
- The Box
 - Meets OSHA Regulation 20, Part 1926, Subpart K for open-neutral GFCI & circuit overload protection
 - UL Listed for outdoor use
 - Backed by a Limited One-Year Warranty

Power Cords

- UL Listed (File #E-48380)



Raintight While-In-Use Covers

DESCRIPTION	MOUNTING	CAT. NO.
Duplex Receptacle, Gray, Standard	Vertical	5976-GY
Duplex Receptacle, Gray, Extra Deep	Vertical	5976-DGY
Duplex Receptacle, Clear, Standard	Vertical	5976-CL
Decora/GFCI, Gray, Standard	Vertical	5977-GY
Decora/ GFCI, Gray, Extra Deep	Vertical	5977-DGY
Decora/GFCI, Clear, Standard	Vertical	5977-CL
Decora/GFCI, Clear, Extra Deep	Vertical	5977-DCL
Single Receptacle, Gray, Standard	Vertical	5978-GY
Single Receptacle, Clear, Standard	Vertical	5978-CL
Single Receptacle, Clear, Extra Deep	Vertical	5978-DGY
Duplex Receptacle, Gray, Standard	Horizontal	5996-GY
Duplex Receptacle, Gray, Extra Deep	Horizontal	5996-DGY
Duplex Receptacle, Clear, Standard	Horizontal	5996-CL
Decora/GFCI, Gray, Standard	Horizontal	5997-GY
Decora/GFCI, Gray, Extra Deep	Horizontal	5997-DGY
Decora/GFCI, Clear, Standard	Horizontal	5997-CL
Decora/GFCI, Clear, Extra Deep	Horizontal	5997-DCL
Single Receptacle, Gray, Standard	Horizontal	5998-GY
Single Receptacle, Gray, Extra Deep	Horizontal	5998-DGY
Single Receptacle, Clear, Standard	Horizontal	5998-CL

Features and Benefits

Plastic

- Impact resistant thermoplastic construction
- Pre-installed gasket for easy, reliable installation
- Tongue and groove plate-to-cover construction
- Offset device opening (horizontal only) for easier cord exit
- Thermoplastic inserts prevent insect and debris accumulation

Plastic and Metal

- Self-closing
- Vertical and horizontal mounting
- Die cast aluminum or impact-resistant thermoplastic covers and bases
- Weather-resistant gaskets
- Stainless steel springs
- Gray, white or clear finish

SPECIFICATIONS & FEATURES

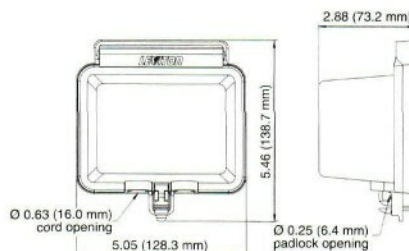
- Mounting Screws and rubber gasket included for fast, easy installation onto surface-mounted outdoor-type boxes or flush-mounted wall boxes
- Easy-grip self-closing covers with durable, noncorrosive stainless steel screws
- Backed by a Limited Two-Year Warranty

TESTING & CODE COMPLIANCE

- Full compliance with UL, CSA and NEC Section 410-57 requirements for damp and wet locations with cover closed
- Raintight while-in-use covers are NEMA 3R rated for use with unattended plugs engaged in "live" receptacles in wet or damp locations



VERTICAL MOUNT, EXTRA DEEP
Cat. No. 5976-D



HORIZONTAL MOUNT, STANDARD
Cat. No. 5997

For more information regarding matching wallplates, colors, materials, single and multi-gang, refer to Decora Devices, Section A.