



WA Series



SM Series



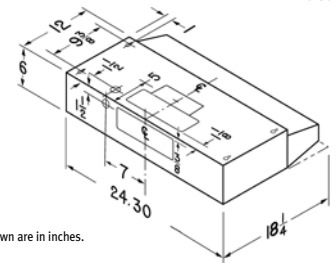
RL Series



RLC Series

## Nutone WA, SM, RL and RLC Series

Perfect for replacement as well as new installations, this powerful convertible twin blower Basic Performance range hood is ideal for use with any electric range.



Dimensions shown are in inches.

### SPECIFICATIONS

SERIES	WIDTH	STAINLESS STEEL	WHITE	WHITE W/ BLACK TRIM	BLACK	ALMOND	LIGHTING	CONTROL	CFM (vert.)	SONES (vert.)	INSTALLATION TYPE
WA	30"	WA6530SS	WA6530WW	—	WA6530BL	WA6530AA	2X 40W 2 intensities including night light	Rotary control for variable speed selection	210	5.0	3 1/4" x 10" (V.H) 7" round*, non-ducted
SM	30"	SM6530SS	SM6530WW	—	SM6530BL	SM6530AL	1X 75W 2 intensities	Rotary control for variable speed selection	190	7.0	3 1/4" x 10" (V.H) 7" round*, non-ducted
RL	24"	—	RL6124FWW	—	—	RF6124FAL	1X 75W 1 intensity	Rocker switch 2 speeds	180	7.5	3 1/4" x 10" (V.H) 7" round*, non-ducted
	30"	RL6130FSS	RL6130FWW	—	—	RL6130FAL	1X 75W 1 intensity	Rocker switch 2 speeds	180	7.5	3 1/4" x 10" (V.H) 7" round*, non-ducted
RLC	30"	—	RL6130WWC	—	—	—	1X 75W 1 intensity	Rocker switch 2 speeds	160	6.5	3 1/4" x 10" (V.H) 7" round*

### OPTIONS

RFQTC	Replacement Charcoal Filter 30" (WA)	FKM65	Replacement Charcoal Filter (SM-RL)
RFQTA	Replacement Aluminum Filter 30" (WA)	RLSM65	Replacement Aluminum Filter 24" & 30" (SM-RL-RLC)

\* 7" round damper and adapter sold separately.

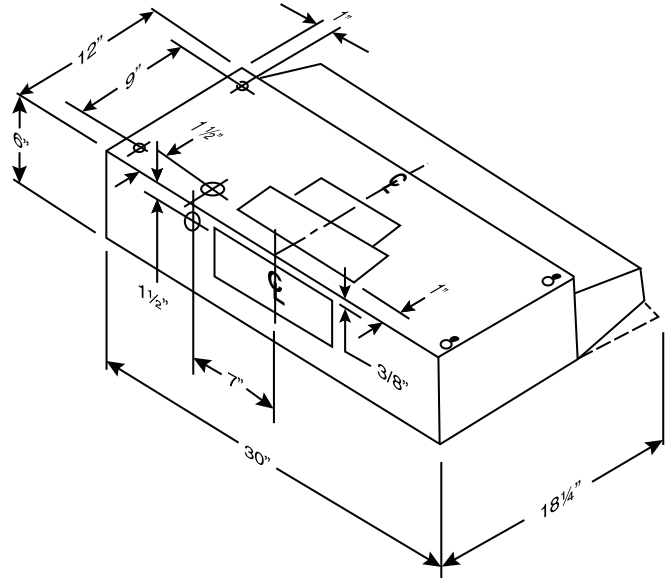


874468/01/11

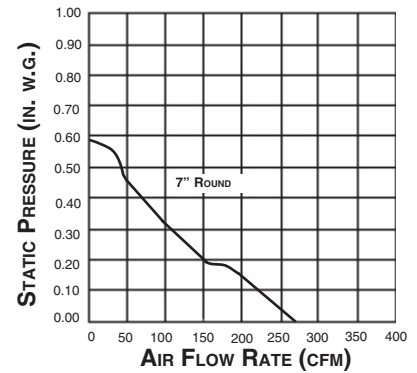
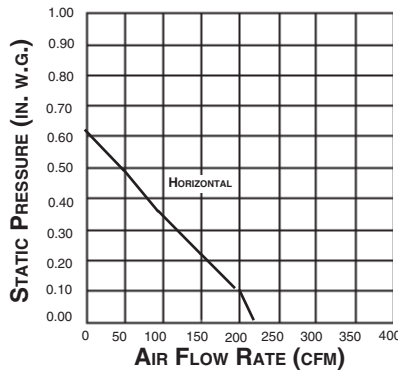
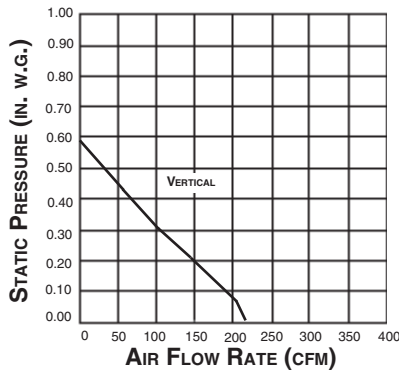
### SPECIFICATIONS

MODEL	SM SERIES
VOLTS	120 VAC
HZ	60
AMPS	1.9
CFM (VERT.)	190
CFM (HORIZ.)	190
CFM (ROUND)	220
SONES (VERT.)	7.0
SONES (HORIZ.)	8.0
SONES (ROUND)	7.0
DUCTING SIZE	7" ROUND OR 3¼" X 10"
1 INCANDESCENT BULB	75 W
WARRANTY	1 YEAR

### DIMENSIONS



### AIR FLOW PERFORMANCE



HVI-2100 CERTIFIED RATINGS comply with new testing technologies and procedures prescribed by the Home Ventilating Institute, for off-the-shelf products, as they are available to consumers. Product performance is rated at 0.1 in. static pressure, based on tests conducted in AMCA's state-of-the-art test laboratory. Sones are a measure of humanly-perceived loudness, based on laboratory measurements.



BROAN-NU-TONE CANADA INC., MISSISSAUGA, ONTARIO WWW.NUTONE.CA 1-888-882-7626

PROJECT	REMARKS
LOCATION	
MODEL No.	
QTY.	
SUBMITTED BY	
DATE	