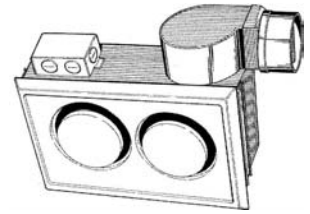


MODEL 9425WHC TWO-BULB HEAT-A-VENT® EXHAUST FAN & HEATER BULBS



Quick and efficient fan with twin-bulb heaters provides the selective temperature control you need.

FEATURES

HEATING FIXTURE:

- Uses (2) 250W BR40-size infrared bulbs (not included)
- Unit may function with bulbs and fan controlled together, bulbs and fan controlled separately, or EACH bulb and fan controlled separately (controls available separately)

GRILLE:

- White polymeric grille

HOUSING:

- Sturdy steel housing
- Housing can be adjusted vertically after ceiling is finished
- Suitable for use in insulated ceilings (Type I.C.)
- Plug-in, permanently lubricated motor
- Polymeric damper/duct connector with 1-5/8" (41 mm) long tapered sleeve with no metallic clatter
- Quiet, polymeric blower wheel

TYPICAL SPECIFICATIONS

Bulb heater shall be NuTone Model 9425WHC.

Heater shall have a corrosion resistant steel housing 14-1/4" x 8-3/8" x 6-3/8" (362 mm x 213 mm x 162 mm) and adjustable mounting brackets. Unit must use (2) 250W BR40-size infrared bulbs. Suitable for use in insulated ceilings (Type I.C.) to an R40 factor. White polymeric grille shall be 10-1/4" x 15-5/8" (260 mm x 397 mm)

Motor assembly to be removable and permanently lubricated. Non-metallic damper/duct connector to be included. Heater and ventilator to operate separately (or in combination).

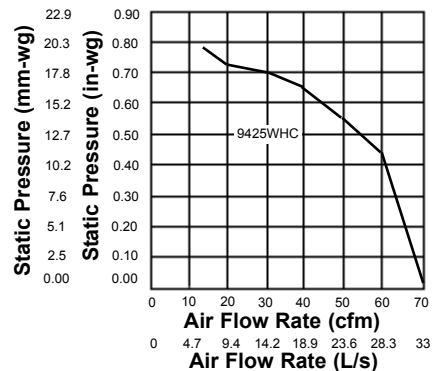
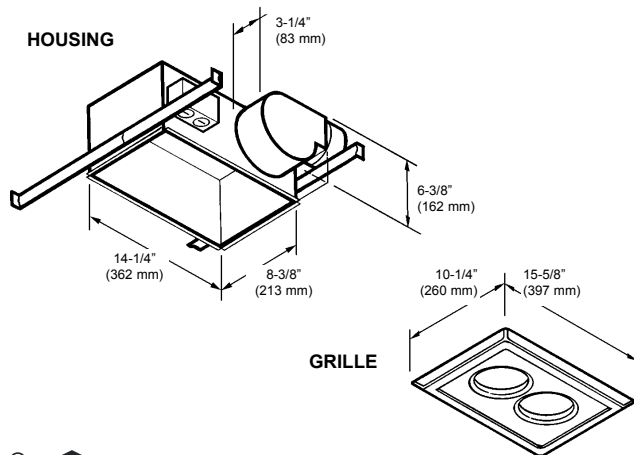
Air delivery shall be no less than 70 CFM (33 L/s) and sound levels no greater than 3.5 Sones. All air and sound ratings shall be certified by the HVI. Unit shall be UL listed and CSA certified.

SPECIFICATIONS

VOLTS	AMPS	WATTS*	SONES	CFM (L/s)	DUCT (mm) Rd.
120	4.5	545**	3.5	70 (33)	4" (102)

* Total Connected Load

** BR40-size infrared bulbs. Use house wiring certified at 60°C min.



HVI-2100 CERTIFIED RATINGS comply with new testing technologies and procedures prescribed by the Home Ventilating Institute, for off-the-shelf products, as they are available to consumers. Product performance is rated at 0.1 in. (2.54 mm) static pressure, based on tests conducted in AMCA's state-of-the-art test laboratory. Sones are a measure of humanly-perceived loudness, based on laboratory measurements.

NuTone, Inc., 4820 Red Bank Road, Cincinnati, OH 45227 (1-800-543-8687)
Broan-NuTone Canada Inc., 1140 Tristar Drive, Mississauga, Ontario, Canada L5T 1H9 (1-888-882-7626)



REFERENCE	QTY.	REMARKS	Project
			Location
			Architect
			Engineer
			Contractor
			Submitted by Date