



QT Series



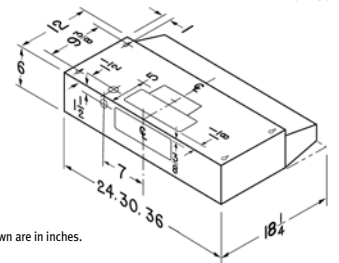
GP Series



BP Series



CM Series



Dimensions shown are in inches.

Broan QT, GP, BP and CM Series

Perfect for replacement as well as new installations, this powerful convertible Basic Performance range hood is ideal for use with any electric range.

SPECIFICATIONS

SERIES	WIDTH	STAINLESS STEEL	WHITE	WHITE W/ BLACK TRIM	BLACK	ALMOND	LIGHTING	CONTROL	CFM (vert.)	SONES (vert.)	INSTALLATION TYPE
QT	30"	QT230SSN	QT230WWN	—	QT230BLN	QT230AAN	2 x 40 W 2 intensities including night light	Rotary control for variable speed selection	210	5.0	3 1/4" x 10" (V.H.) 7" round*, non-ducted
	36"	QT236SSN	QT236WWN	—	QT236BLN	—	210		5.0		
GP	24"	GP124SSN	GP124WWN	GP124WHN	—	GP124ALN	1 x 75 W 2 intensities	Rotary control for variable speed selection	190	7.0	3 1/4" x 10" (V.H.) 7" round*, non-ducted
	30"	GP130SSN	GP130WWN	GP130WHN	—	GP130ALN	190		7.0		
BP	24"	BP124SSN	—	BP124WHN	BP124BLN	BP124ALN	1 x 75 W 1 intensity	Rocker switch 2 speeds	180	7.5	3 1/4" x 10" (V.H.) 7" round*, non-ducted
	30"	BP130SSN	BP130WWN	BP130WHN	BP130BLN	BP130ALN	180		7.5		
CM	24"	CM124SSN	—	—	—	—	1 x 75 W 1 intensity	Rocker switch 2 speeds	160	6.5	3 1/4" x 10" (V.H.) 7" round*
	30"	CM130SSN	CM130WWN	—	—	—	160		6.5		

OPTIONS

RFQTC Replacement Charcoal Filter 30" & 36" (QT)

FKM65 Replacement Charcoal Filter (GP-BP)

RFQTA Replacement Aluminum Filter 30" & 36" (QT)

RLSM65 Replacement Aluminum Filter 24" & 30" (GP-BP-CM)

* 7" round adapter/damper sold separately.



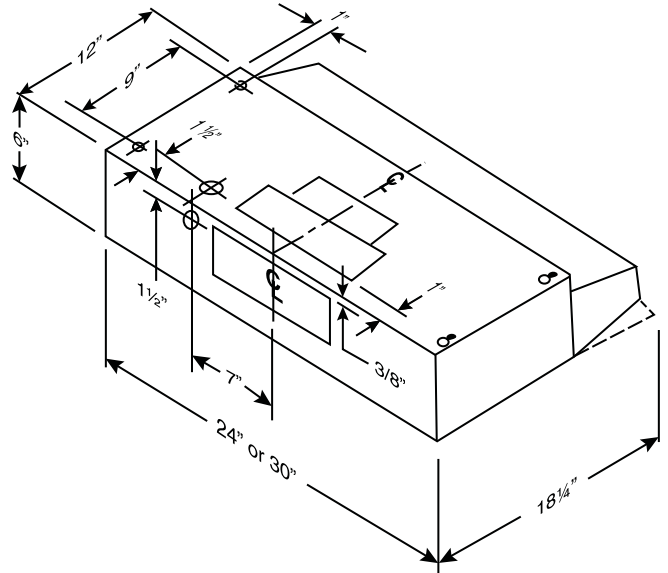
874388 09/09

SPECIFICATIONS

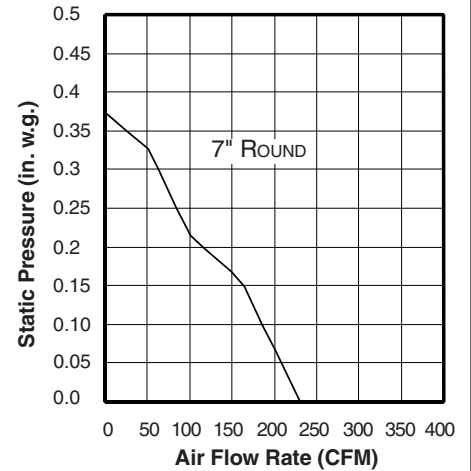
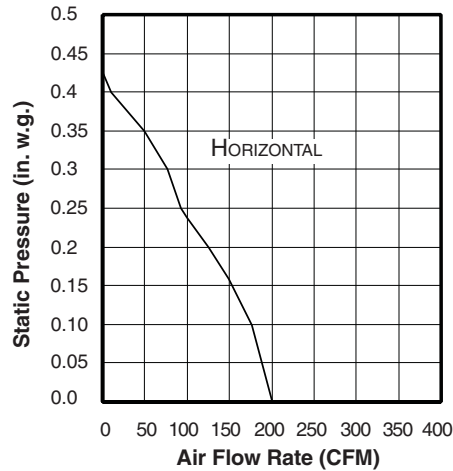
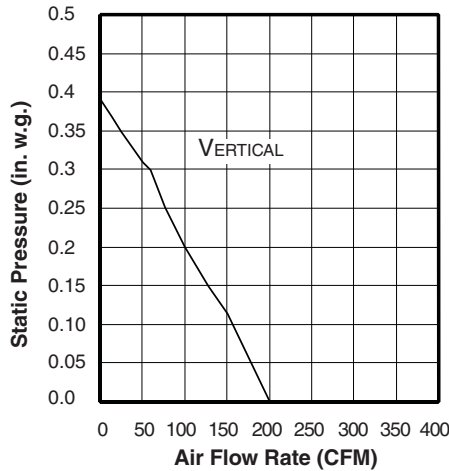
MODEL	BP SERIES
VOLTS	120 VAC
Hz	60
AMPS	1.7
CFM (VERT.)	180
CFM (HORIZ.)	180
CFM (ROUND)	210
SONES (VERT.)	7.5
SONES (HORIZ.)	7.0
SONES (ROUND)	7.0
DUCTING SIZE	7" ROUND* OR 3 1/4" x 10"
1 INCANDESCENT BULB	75 W
WARRANTY	1 YEAR

*7" ROUND ADAPTER/DAMPER SOLD SEPARATELY.

DIMENSIONS



AIR FLOW PERFORMANCE



HVI-2100 CERTIFIED RATINGS comply with new testing technologies and procedures prescribed by the Home Ventilating Institute, for off-the-shelf products, as they are available to consumers. Product performance is rated at 0.1 in. static pressure, based on tests conducted in AMCA's state-of-the-art test laboratory. Sones are a measure of humanly-perceived loudness, based on laboratory measurements.



BROAN-NU-TONE CANADA INC., MISSISSAUGA, ONTARIO WWW.BROAN.CA 1-888-882-7626

PROJECT	REMARKS
LOCATION	
MODEL No.	
QTY.	
SUBMITTED BY	
DATE	