



# QTE LED Floodlight



Catalog Number
Notes
Type

Hit the Tab key or mouse over the page to see all interactive elements.

## Introduction

QTE LED is a family of cost effective, energy efficient floodlights. These are the ideal replacements for up to 500W Quartz Halogen floodlights, and deliver energy savings of up to 85% with over 10 years of service life. QTE LED floodlights are great for illuminating yards, driveways, buildings, billboards and signage, and for general flood lighting.

## Ordering Information

**EXAMPLE:** QTE LED P2 40K 120 THK DDB

QTE LED			120		
Series	Performance Package	Color Temperature	Voltage	Mounting	Finish <i>(required)</i>
QTE LED	P1 2,500 lumens <sup>1</sup> P2 4,000 lumens P3 6,750 lumens	40K 4000K * 50K 5000K	120 120 volts	THK Knuckle YK Yoke mount <sup>2</sup>	DDB Dark bronze WH White

\*Nominal correlated color temperature per ANSI C78-377-2015

### NOTES

- QTE LED P1 version, can be used for submission to Title 24 applications.
- Yoke mount is not available with P1 performance package.

## FEATURES & SPECIFICATIONS

### INTENDED USE

QTE LED is suitable for replacing up to 500W Quartz Halogen. It is ideal for landscape, signage, and general purpose lighting in commercial and residential applications.

### CONSTRUCTION

Die-cast aluminum housing has integral heat sink fins to optimize thermal management. Rated for -40°C to 40°C ambient temperature. Tempered glass lens is fully gasketed.

Available with knuckle and yoke mount.

### FINISH

Durable powder coat finish for protection from corrosion and weathering. Available in dark bronze or white.

### ELECTRICAL

Chip-on-board (COB) LEDs are directly coupled to the housing to maximize heat dissipation and lifespan (L70 / 50,000 hrs). 6 kV surge protection.

### INSTALLATION

Mounts easily to junction box or under building eave. Suitable for ground mount applications.

### LISTINGS

UL Certified to US and Canadian safety standards. Wet location listed.

DesignLights Consortium® (DLC) qualified product. Not all versions of this product may be DLC qualified. Please check the DLC Qualified Products List at [www.designlights.org/QPL](http://www.designlights.org/QPL) to confirm which versions are qualified. Can be used to comply with California Title 24 Part 6 High Efficacy LED light Source Requirements.

### WARRANTY

5-year limited warranty. Complete warranty terms located at: [www.acuitybrands.com/CustomResources/Terms\\_and\\_conditions.aspx](http://www.acuitybrands.com/CustomResources/Terms_and_conditions.aspx).

**Note:** Actual performance may differ as a result of end-user environment and application. All values are design or typical values, measured under laboratory conditions at 25 °C. Specifications subject to change without notice.

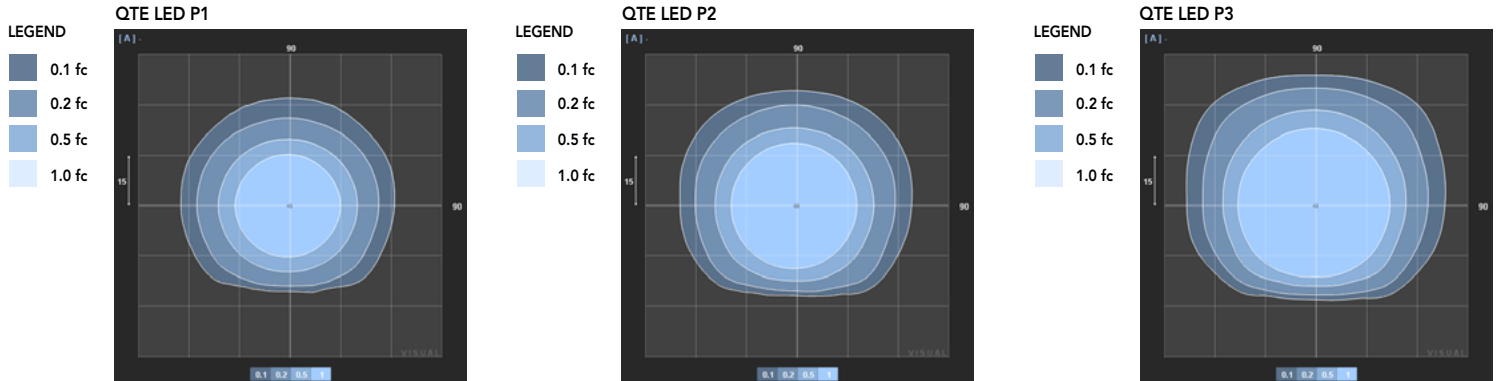


## Performance Data

	Lumen Output	Input Power	Efficacy (Lumens per Watt)
QTE LED P1	2,500	24W	104
QTE LED P2	4,000	40W	100
QTE LED P3	6,750	66W	102

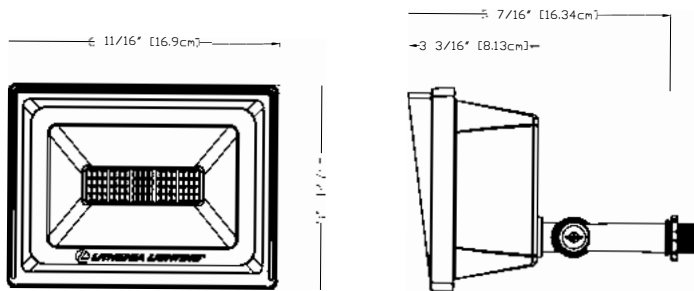
## Photometric Diagrams

Full photometric data report available within 2 weeks from request. Contact [Acuity Tech Support](#).

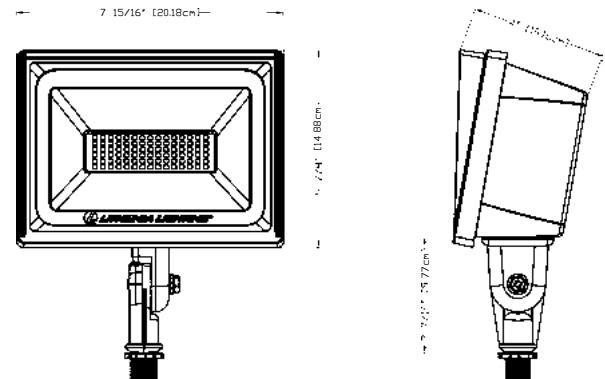


## Dimensions

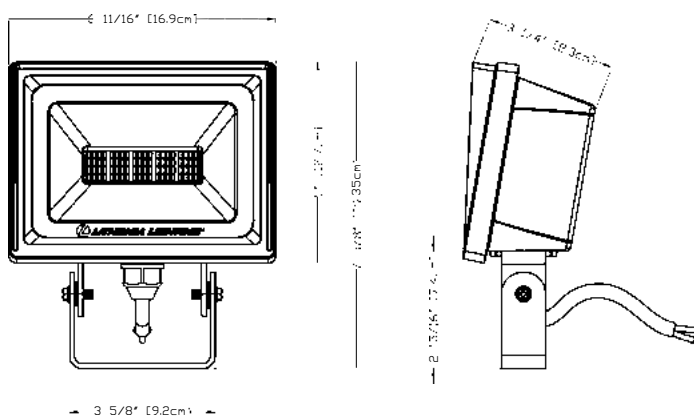
QTE P1-P2 knuckle



QTE P3 knuckle



QTE P1-P2 yoke



QTE P3 yoke

