

Project:
Type:
Date:
Product Code:
Approval:



BLV

Superior-grade, suspended-mount vapour proof LED fixture. Fixture is ideal for indoor or outdoor use where there is a high probability of exposure to dust, water or vapour. Its unique, IP67 certified body makes it ideal in environments where vapour-proof efficiency and performance are a factor.

FEATURES

- L70 of 160,000 hours
- Fibreglass body with a continuous poured neoprene gasket
- 0-10V Dimming Standard

OPTIONS

- Lumen packages are available from 2,500L to 23,000L
- Available in 3000K, 3500K, 4000K, 5000K, and 6500K
- NEDAP wireless controls
- Pendant Mount (Not available on HAZLOC Models)
- 90 CRI available
- IP66 rated motion sensor available
- Polycarbonate Lens

OPERATING TEMPERATURE

- -29°C to 35°C

APPLICATIONS

- Food processing plants
- Manufacturing, Storage, and Warehouse facilities
- Underground parking facilities
- Garages

OPTICS

The high-efficiency lens maximizes light distribution while providing full diffusion of LED point sources and reducing glare.

ELECTRICAL

All components are UL recognized. The fixture is available in 120 - 277V and 347V.

MOUNTING

Can be suspended, surface, pendant or 45° wall mounted.

CONSTRUCTION

- Fibreglass enclosure with neoprene gasket ensures a dust and water resistant seal
- Frosted acrylic lens for even light distribution

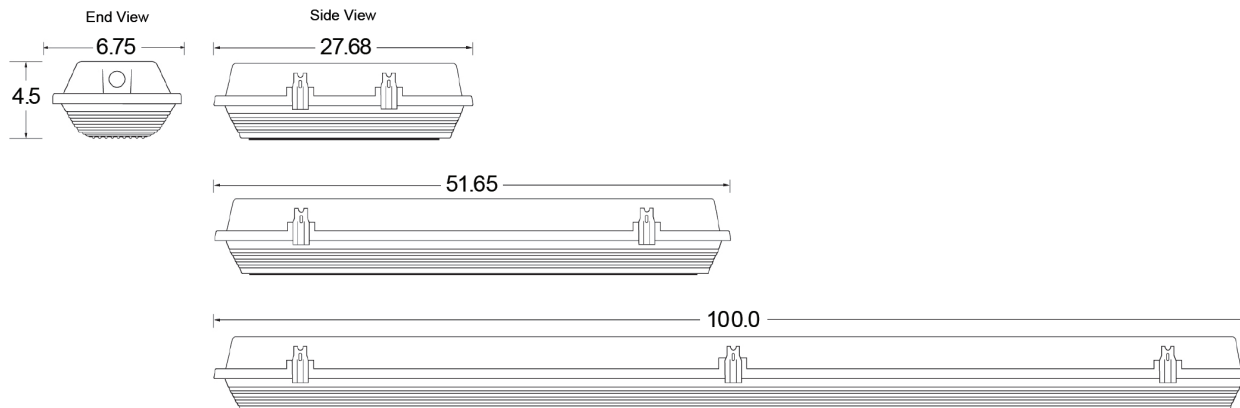
APPROVALS

- ETL Listed
- IP65, IP66 and IP67 Rated
- NEMA 4X Rated
- NSF Rated
- DLC Listed
- Hazardous locations Class 1 Div. 2 Groups ABCD, Class 2 Div. 2 Groups FG, Class 3 Div. 2

WARRANTY

- Standard 5 year system, and 10 year LED warranty

PRODUCT DIMENSIONS



PRODUCT KEY

Fixture Type	Efficacy	Fixture Size	Lumen Output	CRI	Colour Temp	Driver Voltage	Options
BLV							
	S - Standard		2.5	8 - 80 CRI	30 - 3000 K	UNV	Lenses L16 - Ribbed Frosted Acrylic Lens L17 - Ribbed Clear Acrylic Lens L26 - Ribbed Clear Polycarbonate Lens L64 - Ribbed Frosted Polycarbonate Lens *Not available on 8 Foot Models
	H - High	2', 4'	3.5	9 - 90 CRI	35 - 3500 K	347	
			4.5		40 - 4000 K		
			5.5		50 - 5000 K		
			6.5		65 - 6500 K		
			7.5				
		4'	8.5				
			9.5				
			10.5				
			11.5				
			5				
			7				
			9				
			11				
		8'	13				
			15				
			17				
			19				
			21				
			23				
							Wireless Controls WC1 - NEDAP Wireless Controls
							Mounting Blank - Standard Mounting Brackets (2pk) M3 - Aircraft Cable "Y-Toggle", 5 FT M23 - Aircraft Cable "Y-Toggle", 10 FT M33 - Dual Pendant Mounting *Not available on HAZLOC Models M34 - 45° Mounting Brackets
							Fastener Options Blank - Standard White Nylon Clips H4 - Stainless Steel Latch
							Cords (Specify Length) W3xx - 16/3 White Cord W4xx - 16/3 Black Cord W5xx - 16/3 Power Cord and NEMA Code
							Motion Sensor W12 - Standard Motion Sensor W26 - Motion Sensor with Photocell W30 - IP Rated Motion Sensor
							Battery Backup B24 - 10 Watt Bodine Battery Backup *Not available on HAZLOC Models
							Hazardous Locations H27 - Hazardous Locations Class 1 Div. 2 Groups ABCD, Class 2 Div. 2 Groups FG, Class 3 Div. 2

WATTAGE CHARTS

	Lumen Output	Actual Lumen Output	Fixture Wattage	Lumens per Watt		Lumen Output	Actual Lumen Output	Fixture Wattage	Lumens per Watt		Lumen Output	Actual Lumen Output	Fixture Wattage	Lumens per Watt
2'	2.5	2,497	19.72	126.6	4'	2.5	2,568	19.7	130.3	8'	5.0	5,176.0	36.69	141.1
	3.5	3,561	28.82	123.6		3.5	3,665	28.8	127.2		7.0	7,387.0	53.65	137.7
	4.5	4,572	37.93	120.5		4.5	4,705	37.9	124.0		9.0	9,182.0	67.67	135.7
				5.5		5,439	43.3	125.6	11.0		11,206.0	82.70	135.5	
				6.5		6,189	48.7	127.1	13.0		13,226.0	97.73	135.3	
				7.5		7,121	56.3	126.5	15.0		15,238.0	112.76	135.1	
				8.5		8,044	63.9	125.9	17.0		17,245.0	127.78	135.0	
				9.5		8,957	71.5	125.3	19.0		19,247.0	142.81	134.8	
				10.5		9,862	79.1	124.7	21.0		21,244.0	157.84	134.6	
				11.5		10,757	86.7	124.1	23.0		23,234.0	172.87	134.4	

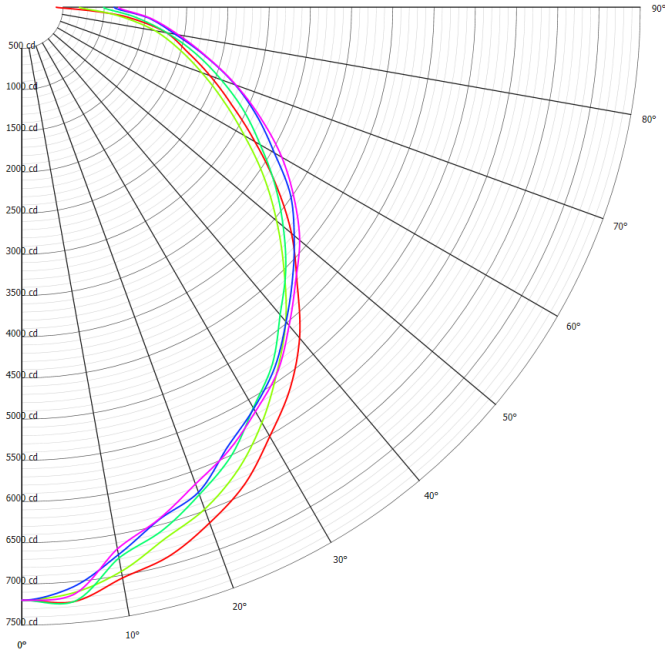
	Lumen Output	Actual Lumen Output	Fixture Wattage	Lumens per Watt		Lumen Output	Actual Lumen Output	Fixture Wattage	Lumens per Watt		Lumen Output	Actual Lumen Output	Fixture Wattage	Lumens per Watt
2'	2.5	2,505	17.77	141.0	4'	2.5	2,509	17.9	139.9	8'	5.0	5,194.0	33.78	153.8
	3.5	3,414	24.49	139.4		3.5	3,419	24.7	138.3		7.0	7,166.0	47.13	152.0
	4.5	4,301	31.21	137.8		4.5	4,307	31.5	136.7		9.0	9,383.0	61.82	151.8
				5.5		5,395	38.3	140.9	11.0		11,447.0	75.60	151.4	
				6.5		6,540	45.1	145.1	13.0		13,504.0	89.30	151.2	
				7.5		7,564	51.5	147.0	15.0		15,554.0	103.00	151.0	
				8.5		8,551	58.4	146.5	17.0		17,596.0	116.80	150.7	
				9.5		9,532	65.3	146.0	19.0		19,631.0	130.50	150.4	
				10.5		10,506	72.2	145.6	21.0		21,658.0	144.30	150.1	
				11.5		11,474	79.1	145.1	23.0		23,677.0	158.00	149.9	

* Based on UNV voltage
 * Based on a Frosted lens
 * Based on 4000K

PHOTOMETRIC DATA

BLV-H-8'-23L-840-UNV-L16

Candela Polar Plot



Cone of Light

Mtg Height	Light Level	Beam Diameter
6 ft	200 fc	20 ft
8 ft	112 fc	26 ft
10 ft	72 fc	33 ft
12 ft	50 fc	39 ft
15 ft	32 fc	49 ft