

BS101LED ECO

INDUSTRIAL

Type: _____

Project: _____

Delivered Lumens:
3952 lm - 6615 lm

Input Wattage:
35W & 55W

Efficacy:
Up to 123 lm/W

Colour Temperatures:
3500K, 4000K, 5000K

Projected Lumen Maintenance:
L₈₅ @ 60,000 hrs.

The ILLUMINA® BS101LED features eight (8) closure clips that securely and evenly seal the luminaire



Unique three piece design that allows effortless assembly without any tools

The UV stabilized polycarbonate diffuser eliminates glare and is integrated with crystals that assist in the enhancement of even light distribution

The polycarbonate ILLUMINA® BS101LED is corrosion, flame and vandal resistant

The ILLUMINA® BS101LED is ideal for installation in warehouses, breezeways, canopies, service corridors and much more.

Configurations

MODEL	LENGTH	OPERATION	POWER	COLOUR TEMP	INPUT	MOUNTING	OPTIONS
BS101LEDECO	4 (4ft)	HT (AC only)	LO (4184lm)	WT35' (3500K)	120-277V	[BLANK] (surface mount - std.)	SS (stainless steel clips)
			HO (6615lm)	WT40 (4000K)	347V	[BLANK] (chain hang kit - std.)	TP ³ (4 tamper proof screws)
				WT50' (5000K)		JM ² (direct mount to J-box)	

NOTE¹: longer lead time, contact factory; NOTE²: JM - the unit is no longer wet location / IP65 rated; NOTE³: voids IP rating

HOUSING:

UV stabilized polycarbonate, liquid silicone perimeter gasket with memory retention.

DIFFUSER:

Frosted UV stabilized polycarbonate diffuser, eliminates glare and provides even distribution.

REFLECTOR:

Flat, steel reflector system finished in durable white powder coat. The reflector system holds all electrical components.

ELECTRICAL:

Available in 3500K, 4000K or 5000K colour temperatures. High efficiency driver operates 100V through 277V or 347V, 50-60HZ. L70 up to 60,000 hours.

POWER LINE/FEED:

5-wire, 18awg, pre-stripped 12" leads for quick in-field connection and hot load disconnect feature.

WEIGHT:

9 lbs. / 4 kilo.

MOUNTING:

Surface mount configuration is standard with integrated stainless steel mounting brackets. Additional mounting systems are available: including aviation cable, pendants, chain, trunion, magnetic, pivot and direct to junction box configurations.

DIMMING:

0 - 10V dimming down to 5% is standard.

OPERATING TEMPERATURE:

HT: -20°C to 40°C

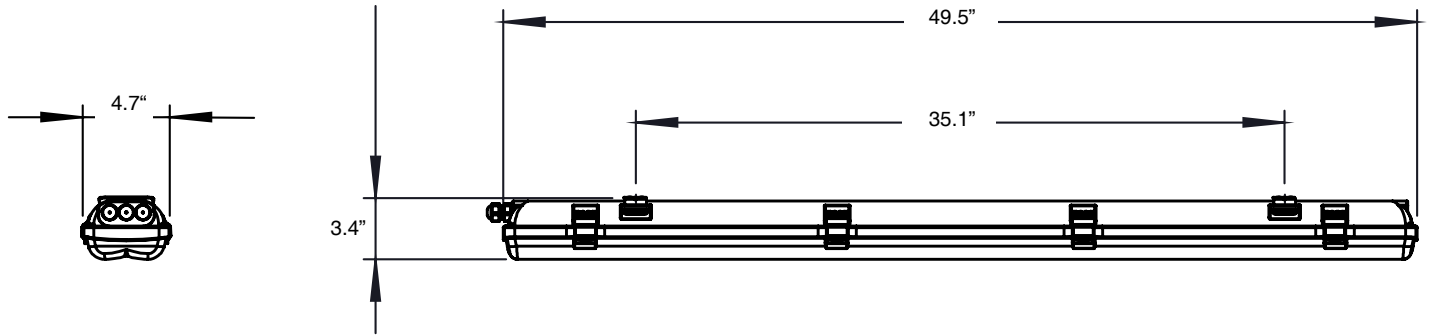
DLC:

Please consult the DLC website for full list of listed models. Not all options shown here are listed.

WARRANTY:

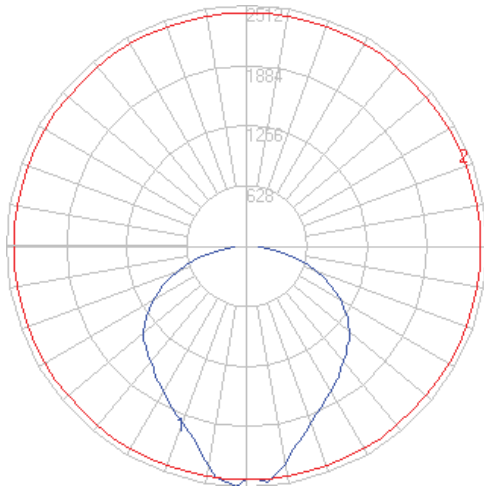
5 year LED warranty, see website for full warranty details.

Dimensions



BS101LED-ECO-4HT-HO-WT40-120-277V

Luminous Intensity Distribution

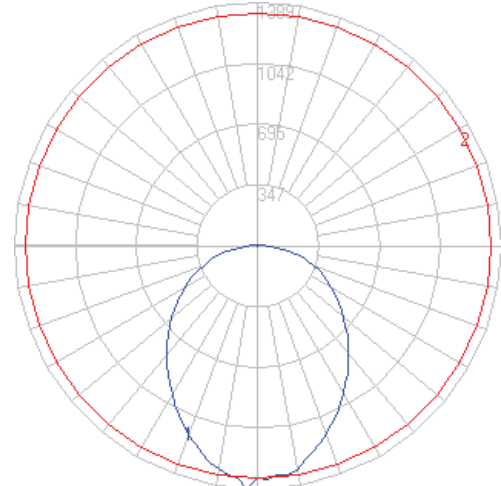


Zonal Lumen Summary

ZONE	LUMENS	% LUMINAIRE
0-30	1738	27%
0-40	2787	43%
0-60	4902	76%
60-90	1529	24%
0-180	6431	100%

BS101LED-ECO-4HT-LO-WT40-120-277V

Luminous Intensity Distribution



Zonal Lumen Summary

ZONE	LUMENS	% LUMINAIRE
0-30	984	27%
0-40	1521	42%
0-60	2674	75%
60-90	1112	31%
0-180	3584	100%

PHOTOMETRIC DATA

Energy Chart

MODEL	LENGTH	COLOUR	EFFICACY	WATTAGE	LUMEN OUTPUT	CRI	REPORTED L85 ¹ (HOURS)
BS101LED-ECO-LO-WT35	4ft	3500K	116 lm/W	35	3950	80+	>60,000
BS101LED-ECO-LO-WT40	4ft	4000K	120 lm/W	35	4066	80+	>60,000
BS101LED-ECO-LO-WT50	4ft	5000K	123 lm/W	35	4184	80+	>60,000
BS101LED-ECO-HO-WT35	4ft	3500K	109 lm/W	55	5999	80+	>60,000
BS101LED-ECO-HO-WT40	4ft	4000K	117 lm/W	55	6431	80+	>60,000
BS101LED-ECO-HO-WT50	4ft	5000K	120 lm/W	55	6615	80+	>60,000

NOTES: Actual performance may vary between +/-5% of initial lumen output **NOTE¹:** Calculated as per TM-21-11. Limited by 6X LM80 test duration.

Illumina® BS101LED ECO