

# Enjoy **flexibility and savings** along with quality illumination



The Philips Day-Brite/Philips CFI LED High Bay FBX is a compact and economical luminaire utilizing the latest in LED technology. With several lumen packages and optical distribution patterns available, the FBX offers exceptional lighting in mid to high ceiling applications. Save energy without straining your project budget or sacrificing your light output.

The 2' FBX is available in both extruded and sheet metal construction (sheet metal shown in photos). It is also available in both narrow (14.75") and wide (24") housings to allow a variety of lumen packages.

FBX08L  
FBX12L



FBX16L  
FBX20L  
FBX24L

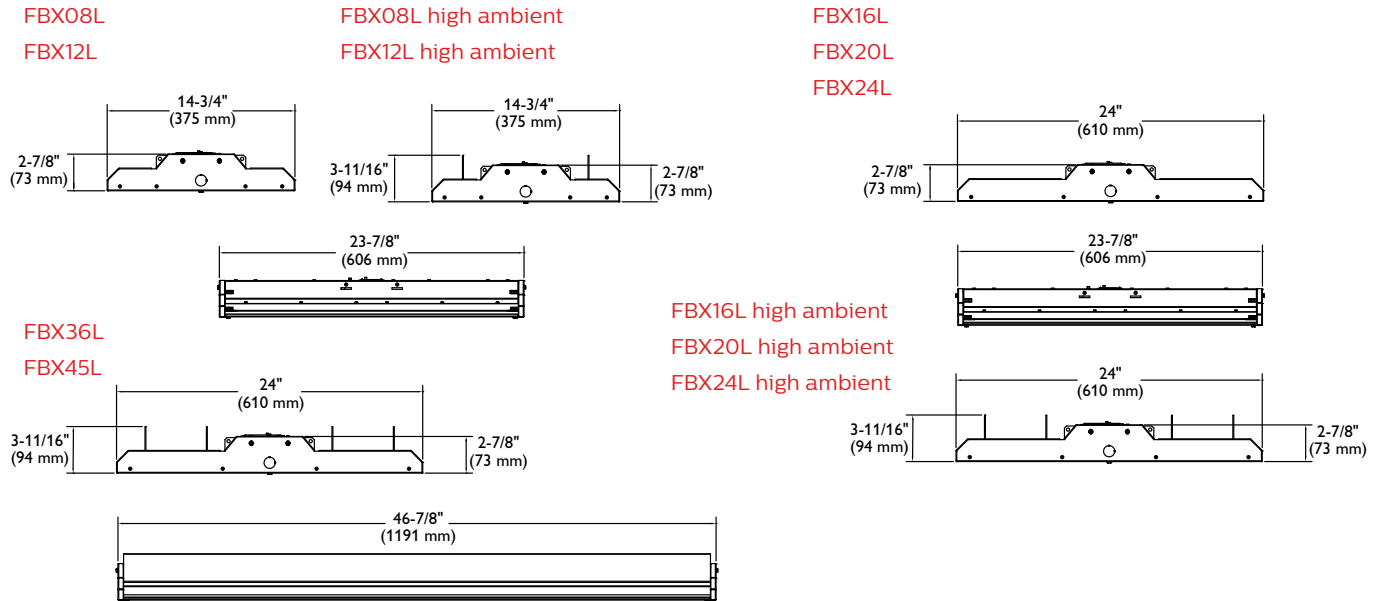




The extruded construction of the 4' FBX provides better heat dissipation for higher ambient applications. Available in wide housing only, this luminaire is suitable for high lumen applications.

FBX36L  
FBX45L





**Ordering guide**

example: FBX24LL40-UNV

Family	Lumens	Lamp Source	CCT	Voltage	Optics	Options
<b>FBX</b>		<b>L</b>				
<b>FBX</b>	<b>08L</b> 8,000 nominal delivered lumens <b>12L</b> 12,000 nominal delivered lumens <b>16L</b> 16,000 nominal delivered lumens <b>20L</b> 20,000 nominal delivered lumens <b>24L</b> 24,000 nominal delivered lumens <b>36L</b> 36,000 nominal delivered lumens <b>45L</b> 45,000 nominal delivered lumens	<b>L</b> LED	<b>40</b> 4000K (CRI 80) <b>50</b> 5000K (CRI 80)	<b>UNV</b> 120-277V <b>120</b> 120V <b>208</b> 208V <b>240</b> 240V <b>347</b> 347V <b>480</b> 480V	<b>Blank</b> General Distribution <b>N</b> Narrow <b>M</b> Medium <b>W</b> Wide <b>A</b> Aisle	<b>WP6</b> Wired 6' 16/3 Cord & NEMA Twist Lock Plug <sup>56</sup> <b>WC6</b> Wired 6' 16/3 Cord <b>WP6D</b> Wired 6' 16/3 Cord & NEMA Twist Lock Plug for Line Voltage and Wired 6' 16/3 Cord & Plug for Dimming Control <sup>56</sup> <b>WC6D</b> Wired 6' 16/3 Cord for Line Voltage and Wired 6' 16/3 Cord for Dimming Control <b>MD360</b> 360° Motion Detector (ON/OFF) <b>MD360D</b> 360° Motion Detector (ON/DIM) <b>EMLED</b> Emergency Battery (40°C max) <b>EMLEDC</b> Emergency Battery Cold Temp (40°C max) <b>55</b> High Ambient (55°C) <b>LCA</b> Clear Acrylic Lens <b>LPA</b> Prismatic Acrylic Lens <b>LFA</b> Frosted Acrylic Lens

Footnotes:  
<sup>56</sup>Must specify voltage.

**Accessories (order separately)**

- FBX CHAIN KIT** – 54" chains & V brackets
- FBX-GRIP5** – 5' cables & V brackets
- FBX-GRIP10** – 10' cables & V brackets
- FBX-PENHGR** – Pendant hanger (not available for 36,000 or 45,000 lumen versions)
- WG-FBX-2N** – Wire guard for 8,000 and 12,000 lumen versions
- WG-FBX-2W** – Wire guard for 16,000, 20,000, and 24,000 lumen versions
- WG-FBX-4** – Wire guard for 36,000 and 45,000 lumen versions

**Wiring Notes**

Standard cords have 3 wires. Consult factory for other cord options.

**General Notes**

All options factory installed.  
 All accessories are field installed.  
 DLC Listing for most variations. Please check the DLC Qualified Products List to confirm. ([www.designlights.org/QPL](http://www.designlights.org/QPL))  
 Many luminaire components, such as reflectors, refractors, lenses, sockets, lampholders, and LEDs are made from various types of plastics which can be adversely affected by airborne contaminants. If sulfur based chemicals, petroleum based products, cleaning solutions, or other contaminants are expected in the intended area of use, consult factory for compatibility.

**Predicted L<sub>70</sub> Lifetime**

40°C Ambient > 100,000 hours  
 40°C Ambient = 60,000 hours (for 8Klm and 16Klm)  
 (based upon LED manufacturer's supplied LM-80 data and in-situ laboratory testing)