



RHB1R-LED150

LED Round Highbay



SPECIFICATIONS*

Watts	147.7
Lumens	19,609
Efficacy	132.7
Replaces Up To	400W MH
Colour Temp	4000K*, 5000K
Certification	ETL, IP65, DLC
Operating Temp	-40°C to +40°C
Voltage	120-277V*, 347V
LED Life	50,000 Hours
Housing Material	Cast Aluminum
Lens Material	Polycarbonate
Finish	Black
Total Harmonic Distortion	14.3%
Power Factor	>0.9
Mounting Options	Pendant Mount, Suspended Mount
Weight	6.8 lbs
CRI	>70

*Standard



DESCRIPTION

Ruggedly designed highbay fixture series with high efficacy and easy installation features, the RHB1R-LED Series is ideal for industrial, manufacturing, factory environments.

APPLICATIONS



Warehouses



Manufacturing

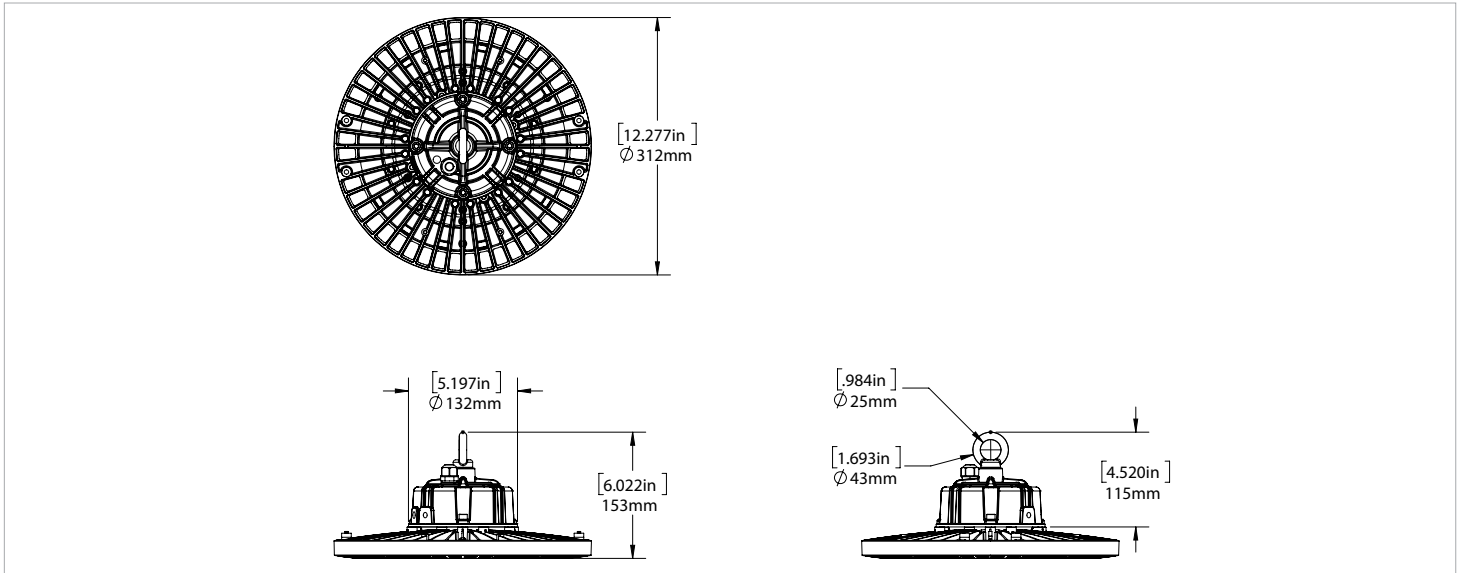


Factories

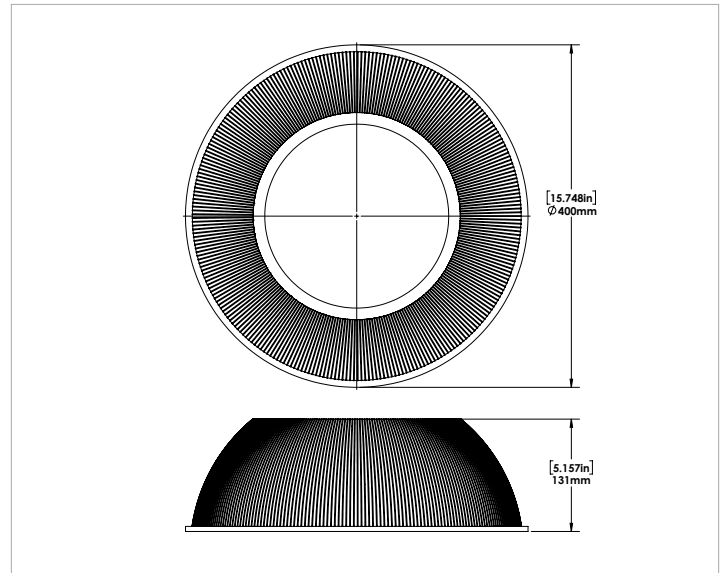
FEATURES

- Die cast aluminum housing, polycarbonate lens and polyester powder coat finish
- Ideal replacement for traditional highbays: RHB1R-LED150 replaces 400W MH.
- 2mt cord and mounting hook included with fixture for easy installation
- 4kV surge suppression is standard with 120-277V unit, 6kV surge suppression is standard with 347V unit,
- High efficacy at approximately 135 lumens/watt.
- 3G vibration tested.

DIMENSIONS



ACCESSORIES



OTHER MODEL SPECIFICATIONS

MODEL DESCRIPTION	VOLTAGE (V)	INPUT POWER (W)	LIGHT OUTPUT	EFFICACY (Lm/W)	THD	PF	CCT(K)	CRI
RHB1R-LED150-B-4K-XXX	120-277V	147.7	19609	132.7	14.3	0.926	4000	71.8
RHB1R-LED150-B-5K-XXX	120-277V	147.9	20467	138.3	14.3	0.926	4950	74.4
RHB1R-LED150-C-4K-XXX	347V	145.64	19239	132.1	13.9	0.952	4000	72
RHB1R-LED150-C-5K-XXX	347V	146.24	20108.1	137.5	13.9	0.952	4758	74.6

LEGEND

B - 120V-277V, C - 347V
 5K - 5000K, 4K - 4000K
 XXX - HOUSING FINISH

ORDERING GUIDE

RHB1R	LED150			
WATTS	VOLTAGE	COLOUR TEMP.	FINISH	
	B - 120-277V*	4K - 4000K*	BLK - BLACK	
	C - 347V	5K - 5000K		

*Standard

FIELD INSTALLED ACCESSORIES

CHECK THE ACCESSORIES YOU WISH TO ORDER:

Prismatic Lens