



RHB1R-LED100

LED Round Highbay

SPECIFICATIONS*

Watts	100.9
Lumens	13,388.6
Efficacy	132.6
Replaces Up To	250W MH
Colour Temp	4000K*, 5000K
Certification	ETL, IP65, DLC
Operating Temp	-40°C to +40°C
Voltage	120-277V*, 347V
LED Life	50,000 Hours
Housing Material	Cast Aluminum
Lens Material	Polycarbonate
Finish	Black
Total Harmonic Distortion	12.1%
Power Factor	>0.9
Mounting Options	Pendant Mount, Suspended Mount
Weight	6.8 lbs
CRI	>70

*Standard



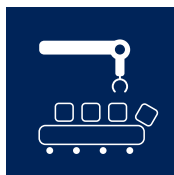
DESCRIPTION

Ruggedly designed highbay fixture series with high efficacy and easy installation features, the RHB1R-LED is ideal for industrial, manufacturing, factory environments.

APPLICATIONS



Warehouses



Manufacturing

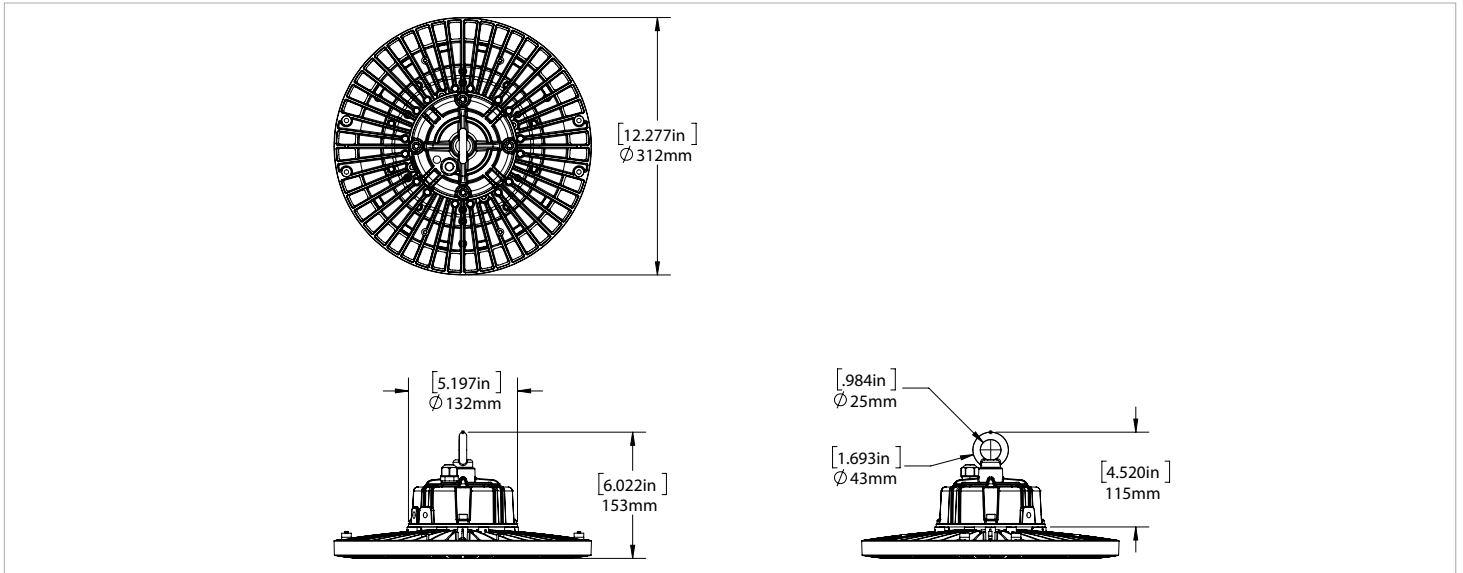


Factories

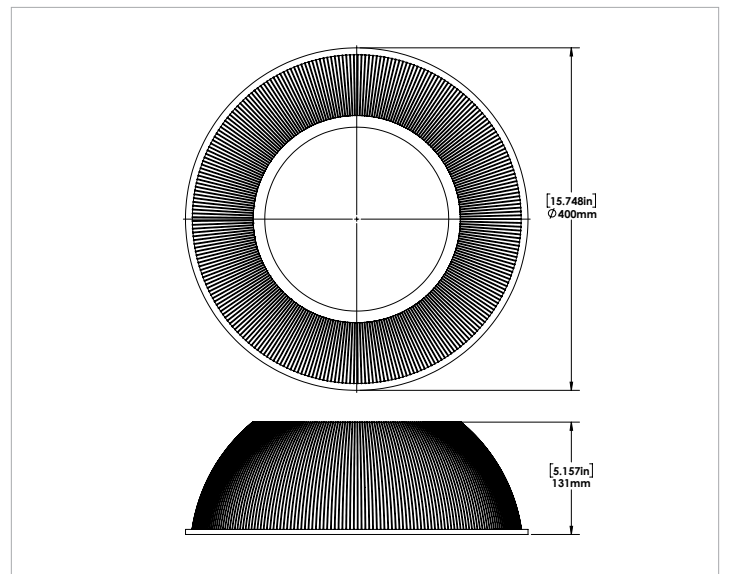
FEATURES

- Die cast aluminum housing, polycarbonate lens and polyester powder coat finish
- Ideal replacement for traditional highbays: RHB1R-LED100 replaces 250W MH.
- 2mt cord and mounting hook included with fixture for easy installation
- 4kV surge suppression is standard with 120-277V unit, 6kV surge suppression is standard with 347V unit.
- High efficacy at approximately 135 lumens/watt.
- 3G vibration tested.

DIMENSIONS



ACCESSORIES



OTHER MODEL SPECIFICATIONS

MODEL DESCRIPTION	VOLTAGE (V)	INPUT POWER (W)	LIGHT OUTPUT	EFFICACY (Lm/W)	THD	PF	CCT(K)	CRI
RHB1R-LED100-B-4K-XXX	120-277V	100.9	13388.6	132.6	12.1	0.935	4000	71.9
RHB1R-LED100-B-5K-XXX	120-277V	101.8	14043.7	137.9	12.1	0.935	4904	74.3
RHB1R-LED100-C-4K-XXX	347V	100.59	13267.8	131.9	11.1	0.933	4000	72.2
RHB1R-LED100-C-5K-XXX	347V	101.15	13989	138.3	11.1	0.933	5184	74.8

LEGEND

B - 120V-277V, C - 347V
 5K - 5000K, 4K - 4000K
 XXX - HOUSING FINISH

ORDERING GUIDE

RHB1R	LED100			
WATTS	VOLTAGE	COLOUR TEMP.	FINISH	
	B - 120 - 277V*	4K - 4000K*	BLK - BLACK	
	C - 347V	5K - 5000K		

*Standard

FIELD INSTALLED ACCESSORIES

CHECK THE ACCESSORIES YOU WISH TO ORDER:

Prismatic Lens