



# ORA3-LED50

## LED WALL / FLOOD LIGHT



### SPECIFICATIONS\*

Watts	50W
Lumens	5470
Efficacy	111 lm/W
Replaces Up To	150W MH 1500W Quartz
Colour Temp	4,000K
Certification	cULus, DLC, IP65
Operating Temp	-40°C to +40°C
Voltage	120-277V, 347V in wall mount coming soon
LED Life	100,000 hours
Housing Material	Aluminum
Lens Material	Polycarbonate
Total Harmonic Distortion	19.78%
Power Factor	0.9788
Mounting Options	Yoke Mount, Knuckle Mount, Wall Mount



## DESCRIPTION

The ORA-LED is a fully adjustable multi-purpose fixture that replaces traditional wall packs or floods. The ORA features a sleek, elegant design with multiple mounting options.

## APPLICATIONS



Town Houses



Condos



Perimeter  
Lighting



Shopping Malls


## FEATURES

- Elegant, sleek design with a modern look.
- Fixture head may be aimed down for dark sky compliance, or aimed out as needed.
- Three mounting options available – knuckle, yoke and wall mount.

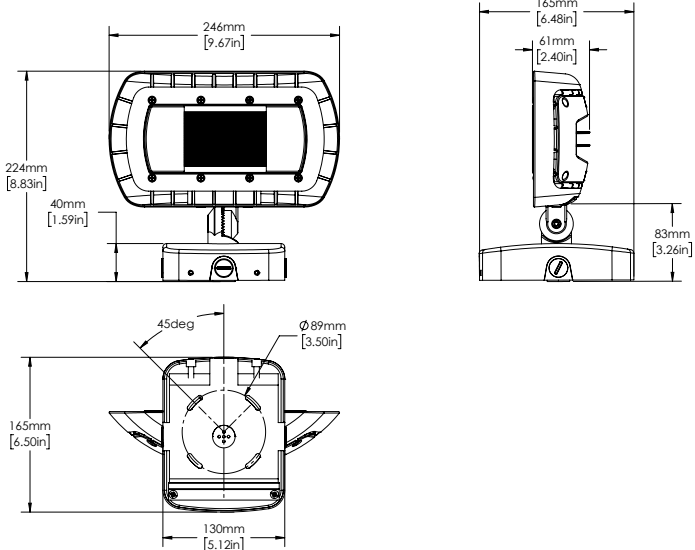
\*The above specs apply to the standard product configuration. For spec information on other product configurations please see page 3.

**NOTE:** Not all of our product configurations are qualified on the DLC QPL. To view all of our DLC qualified products please visit the DLC qualified products list at [www.designlights.org/qpl](http://www.designlights.org/qpl).

**DIMENSIONS**




**Wall Mount**

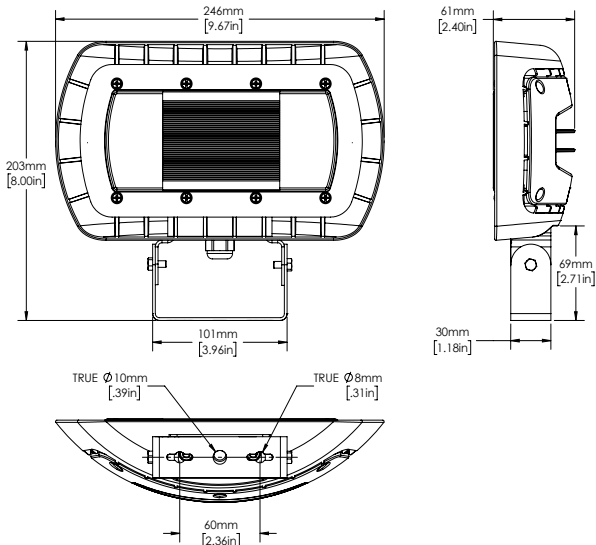


Technical drawings for the Wall Mount fixture showing dimensions in millimeters and inches:

- Top view: 246mm [9.67in] width, 224mm [8.83in] height, 40mm [1.59in] mounting offset.
- Side view: 165mm [6.48in] total height, 61mm [2.40in] mounting offset, 83mm [3.26in] mounting bracket height.
- Front view: 145mm [5.50in] height, 130mm [5.12in] width, 45deg angle, Ø89mm [3.50in] diameter.




**Yoke Mount**

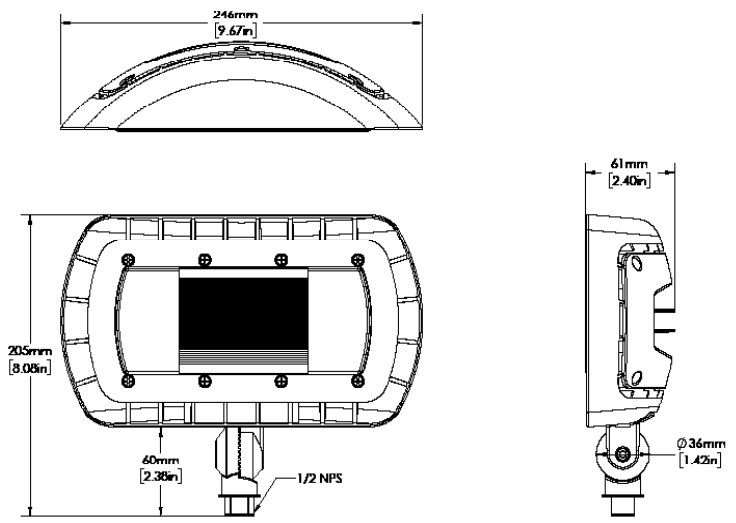


Technical drawings for the Yoke Mount fixture showing dimensions in millimeters and inches:

- Top view: 246mm [9.67in] width, 203mm [8.00in] height, 101mm [3.96in] mounting offset.
- Side view: 61mm [2.40in] total height, 69mm [2.71in] mounting offset, 30mm [1.18in] mounting bracket height.
- Front view: TRUE Ø10mm [.39in] and TRUE Ø8mm [.31in] mounting holes, 60mm [2.36in] width.



**Knuckle Mount**



Technical drawings for the Knuckle Mount fixture showing dimensions in millimeters and inches:

- Top view: 246mm [9.67in] width.
- Front view: 205mm [8.08in] height, 60mm [2.38in] mounting offset, 1/2 NPS mounting thread.
- Side view: 61mm [2.40in] total height, Ø36mm [1.42in] mounting hole.

## ORDERING GUIDE

<b>ORA3</b>						
<b>WATTS</b>	<b>VOLTAGE</b>	<b>COLOUR TEMP.</b>	<b>FINISH</b>	<b>MOUNTING</b>	<b>OPTIONS</b>	
LED50	B - 120 - 277V*	4K - 4000K*	BRZ - BRONZE*	KN-Knuckle	PC- Photocell	
				YK - Yoke		
				WMC - Wall Mount with 3 conduit entries		

\* Standard configuration

## FIELD INSTALLED ACCESSORIES

CHECK THE ACCESSORIES YOU WISH TO ORDER:

Wall mount with 3 Conduit Entries Bronze

Architectural Wall Mount Bracket without conduit entries  
Bronze