



ORA2-LED30

LED WALL / FLOOD LIGHT



SPECIFICATIONS*

Watts	30W
Lumens	3359
Efficacy	112 lm/W
Replaces Up To	100W MH 500W Quartz
Colour Temp	4,000K
Certification	cULus, DLC, IP65
Operating Temp	-40°C to +40°C
Voltage	120-277V, 347V in wall mount coming soon
LED Life	100,000 hours
Housing Material	Aluminum
Lens Material	Polycarbonate
Total Harmonic Distortion	18.57%
Power Factor	0.9817
Mounting Options	Yoke Mount, Knuckle Mount, Wall Mount



DESCRIPTION

The ORA-LED is a fully adjustable multi-purpose fixture that replaces traditional wall packs or floods. The ORA features a sleek, elegant design with multiple mounting options.

APPLICATIONS



Town Houses



Condos



Perimeter
Lighting



Shopping Malls

FEATURES

- Elegant, sleek design with a modern look
- Fixture head may be aimed down for dark sky compliance, or aimed out as needed.
- Three mounting options available – knuckle, yoke and wall mount.

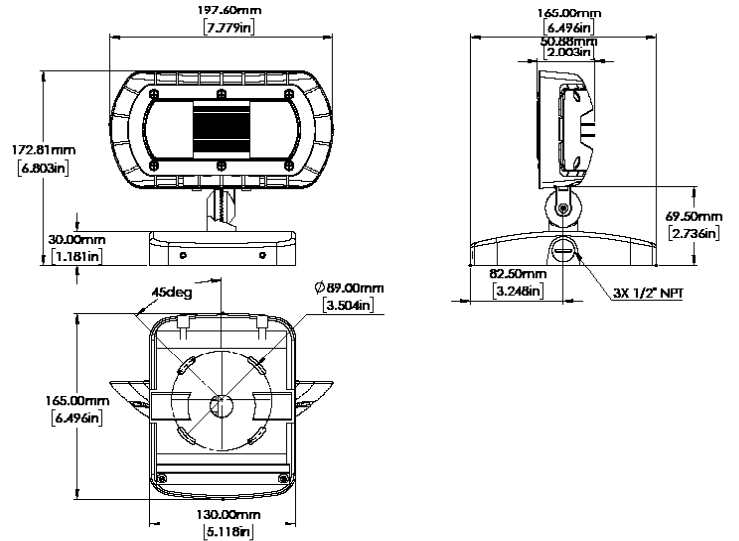
*The above specs apply to the standard product configuration. For spec information on other product configurations please see page 3.

NOTE: Not all of our product configurations are qualified on the DLC QPL. To view all of our DLC qualified products please visit the DLC qualified products list at www.designlights.org/qpl.

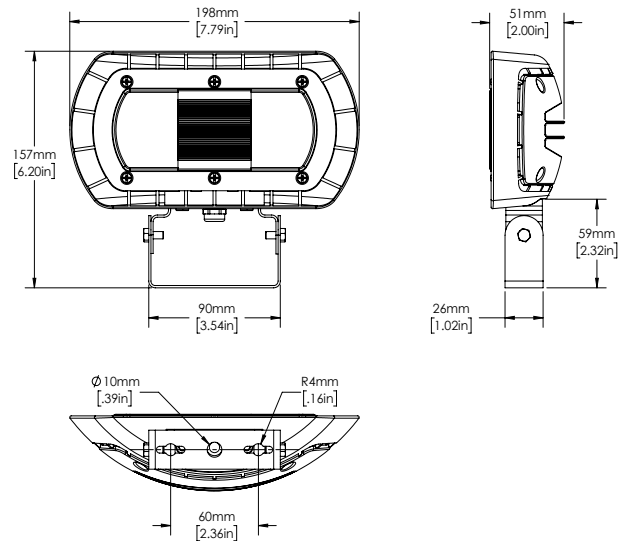
DIMENSIONS



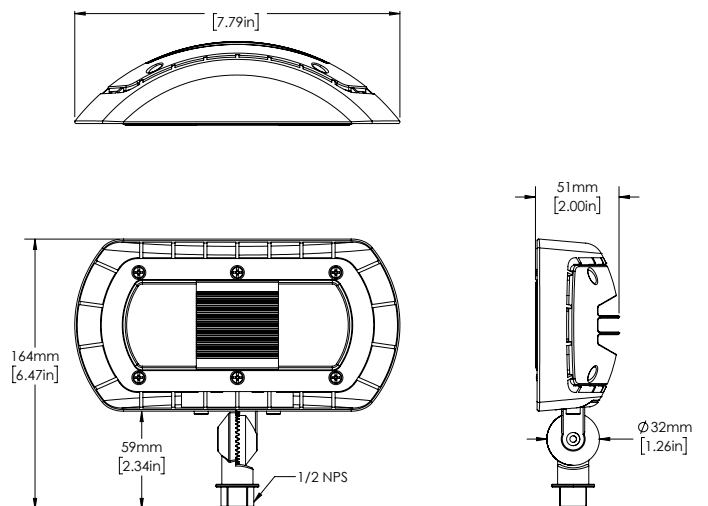
Wall Mount



Yoke Mount



Knuckle Mount



ORDERING GUIDE

ORA2

WATTS

LED30

VOLTAGE

B - 120 - 277V*

COLOUR TEMP.

4K - 4000K*

FINISH

BRZ - BRONZE*

MOUNTING

KN-Knuckle

YK - Yoke

WMC - Wall Mount with 3
conduit entries

* Standard configuration

FIELD INSTALLED ACCESSORIES

CHECK THE ACCESSORIES YOU WISH TO ORDER:

ORA1/2 WALL MOUNT with 3 Conduit Entries Bronze

ORA1/2 Architectural Wall Mount Bracket without
conduit entries Bronze