



# ORA2-LED30

## LED WALL / FLOOD LIGHT



### SPECIFICATIONS\*

Watts	30W
Lumens	3359
Efficacy	112 lm/W
Replaces Up To	100W MH 500W Quartz
Colour Temp	4,000K
Certification	cULus, DLC, IP65
Operating Temp	-40°C to +40°C
Voltage	120-277V, 347V in wall mount coming soon
LED Life	100,000 hours
Housing Material	Aluminum
Lens Material	Polycarbonate
Total Harmonic Distortion	18.57%
Power Factor	0.9817
Mounting Options	Yoke Mount, Knuckle Mount, Wall Mount



## DESCRIPTION

The ORA-LED is a fully adjustable multi-purpose fixture that replaces traditional wall packs or floods. The ORA features a sleek, elegant design with multiple mounting options.

## APPLICATIONS



Town Houses



Condos



Perimeter  
Lighting



Shopping Malls

## FEATURES

- Elegant, sleek design with a modern look
- Fixture head may be aimed down for dark sky compliance, or aimed out as needed.
- Three mounting options available – knuckle, yoke and wall mount.

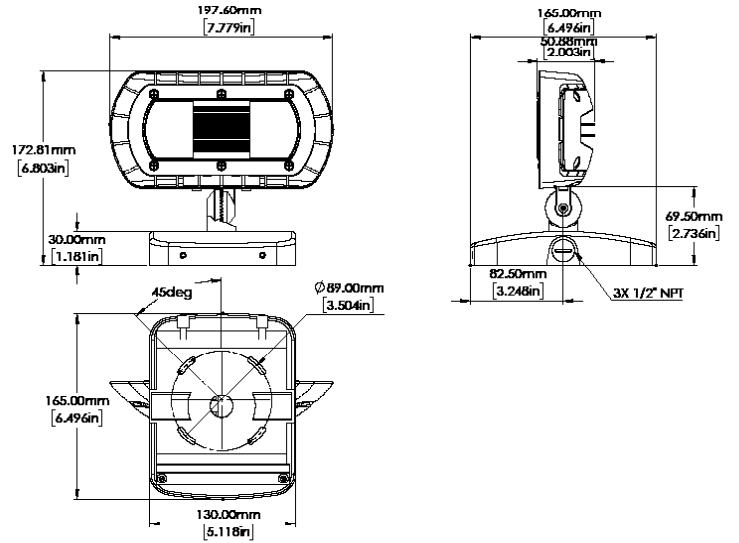
\*The above specs apply to the standard product configuration. For spec information on other product configurations please see page 3.

**NOTE:** Not all of our product configurations are qualified on the DLC QPL. To view all of our DLC qualified products please visit the DLC qualified products list at [www.designlights.org/qpl](http://www.designlights.org/qpl).

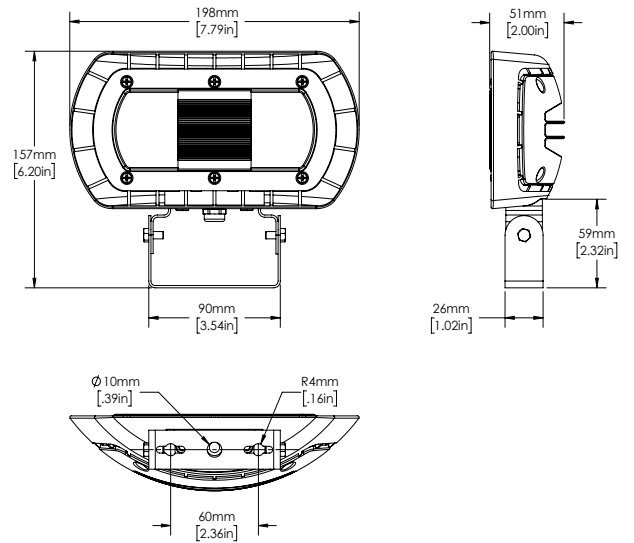
**DIMENSIONS**



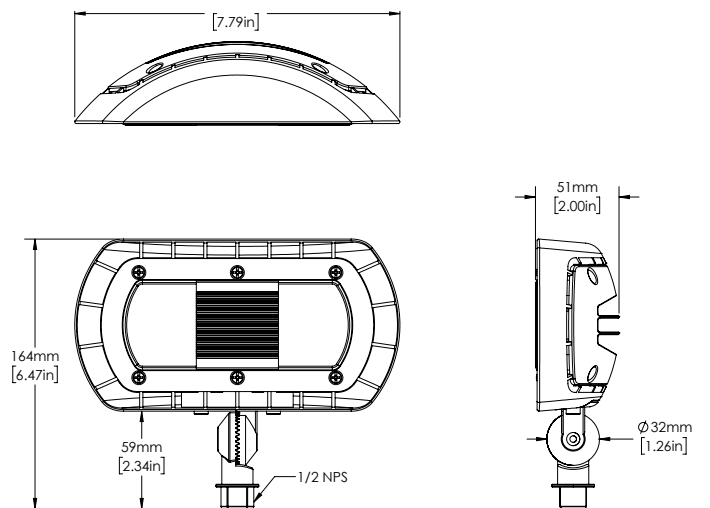
**Wall Mount**



**Yoke Mount**



**Knuckle Mount**



## ORDERING GUIDE

<b>ORA2</b>					
<b>WATTS</b>	<b>VOLTAGE</b>	<b>COLOUR TEMP.</b>	<b>FINISH</b>	<b>MOUNTING</b>	
LED30	B - 120 - 277V*	4K - 4000K*	BRZ - BRONZE*	KN-Knuckle	
				YK - Yoke	
				WMC - Wall Mount with 3 conduit entries	

\* Standard configuration

## FIELD INSTALLED ACCESSORIES

### CHECK THE ACCESSORIES YOU WISH TO ORDER:

ORA1/2 WALL MOUNT with 3 Conduit Entries Bronze

ORA1/2 Architectural Wall Mount Bracket without  
conduit entries Bronze