



ORA1-LED15

LED Wall/Flood Light



SPECIFICATIONS*

Watts	16W
Lumens	1510
Efficacy	97lm/W
Replaces Up To	70W MH 300W Quartz
Colour Temp	4,000K
Certification	cULus, DLC, IP65
Operating Temp	-40°C to +40°C
Voltage	120-277V, 347V in wall mount coming soon
LED Life	100,000 hours
Housing Material	Aluminum
Lens Material	Polycarbonate
Total Harmonic Distortion	18.41
Power Factor	0.912
Mounting Options	Yoke Mount, Knuckle Mount, Wall Mount



DESCRIPTION

The ORA-LED is a fully adjustable multi-purpose fixture that replaces traditional wall packs or floods. The ORA features a sleek, elegant design with multiple mounting options.

APPLICATIONS



Town Houses



Condos



Perimeter Lighting



Shopping Malls

FEATURES

- Elegant, sleek design with a modern look.
- Fixture head may be aimed down for dark sky compliance, or aimed out as needed.
- Three mounting options available – knuckle, yoke and wall mount.

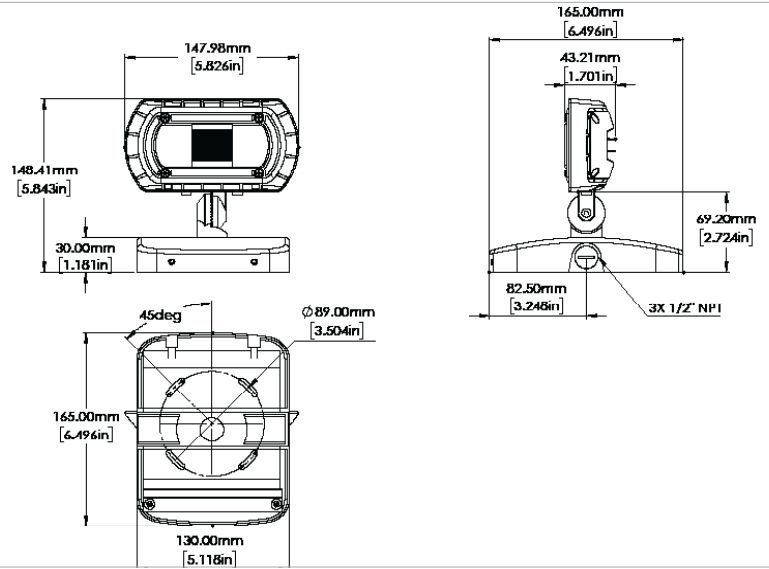
*The above specs apply to the standard product configuration. For spec information on other product configurations please see page 2.

NOTE: Not all of our product configurations are qualified on the DLC QPL. To view all of our DLC qualified products please visit the DLC qualified products list at www.designlights.org/qpl.

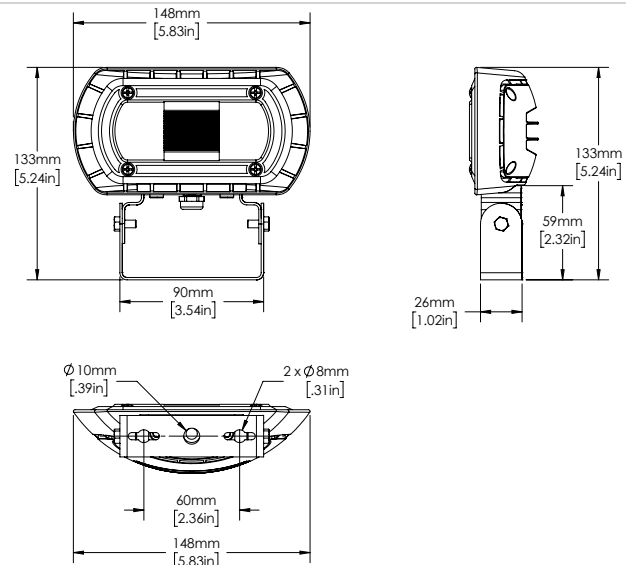
DIMENSIONS



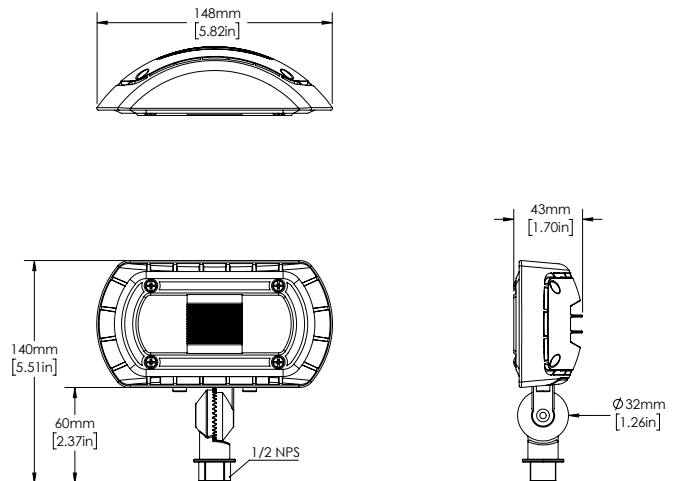
Wall Mount



Yoke Mount

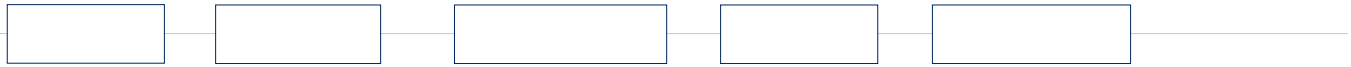


Knuckle Mount



ORDERING GUIDE

ORA1



WATTS

LED15

VOLTAGE

B - 120 - 277V*

COLOUR TEMP.

4K - 4000K*

FINISH

BRZ - BRONZE*

MOUNTING

KN-Knuckle

YK - Yoke

WMC - Wall Mount with 3
conduit entries

* Standard configuration

FIELD INSTALLED ACCESSORIES

CHECK THE ACCESSORIES YOU WISH TO ORDER:

ORA1/2 WALL MOUNT with 3 Conduit Entries Bronze

ORA1/2 Architectural Wall Mount Bracket without
conduit entries Bronze