



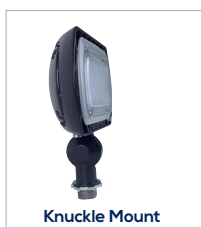
ORA1-LED15

LED Wall/Flood Light



SPECIFICATIONS*

| | |
|---------------------------|---|
| Watts | 16W |
| Lumens | 1510 |
| Efficacy | 97lm/W |
| Replaces Up To | 70W MH 300W Quartz |
| Colour Temp | 4,000K |
| Certification | cULus, DLC, IP65 |
| Operating Temp | -40°C to +40°C |
| Voltage | 120-277V, 347V in wall mount coming soon |
| LED Life | 100,000 hours |
| Housing Material | Aluminum |
| Lens Material | Polycarbonate |
| Total Harmonic Distortion | 18.41 |
| Power Factor | 0.912 |
| Mounting Options | Yoke Mount, Knuckle Mount, Wall Mount |



DESCRIPTION

The ORA-LED is a fully adjustable multi-purpose fixture that replaces traditional wall packs or floods. The ORA features a sleek, elegant design with multiple mounting options.

APPLICATIONS



Town Houses



Condos



Perimeter Lighting



Shopping Malls

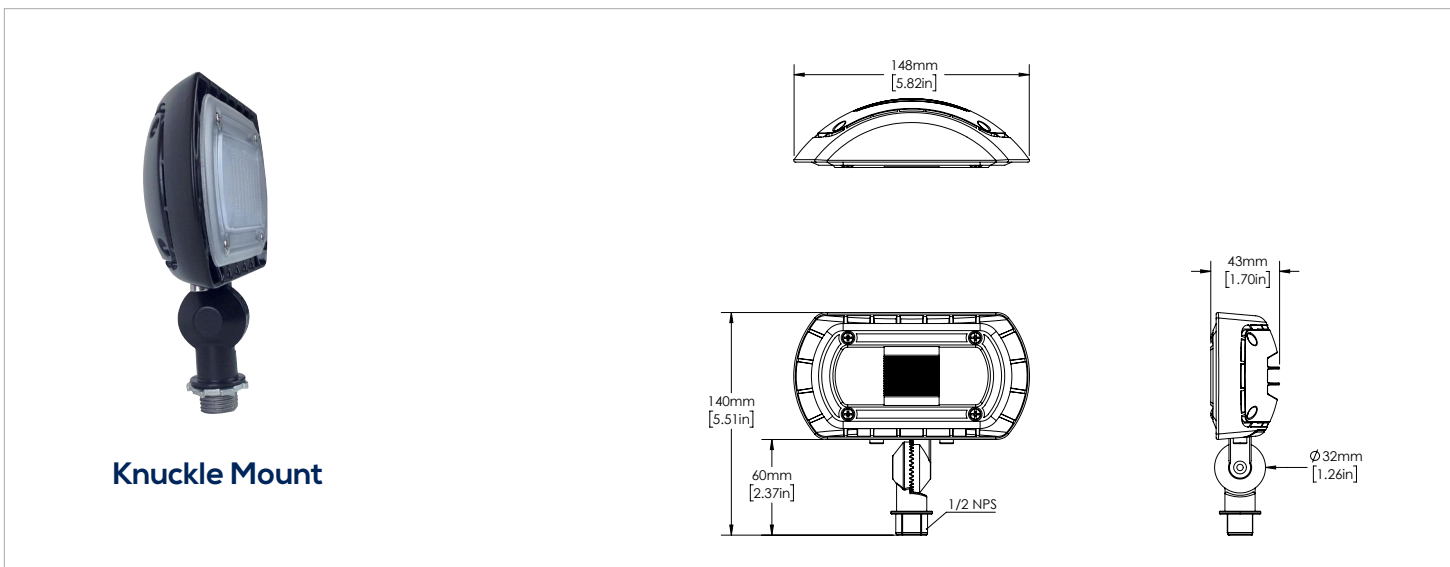
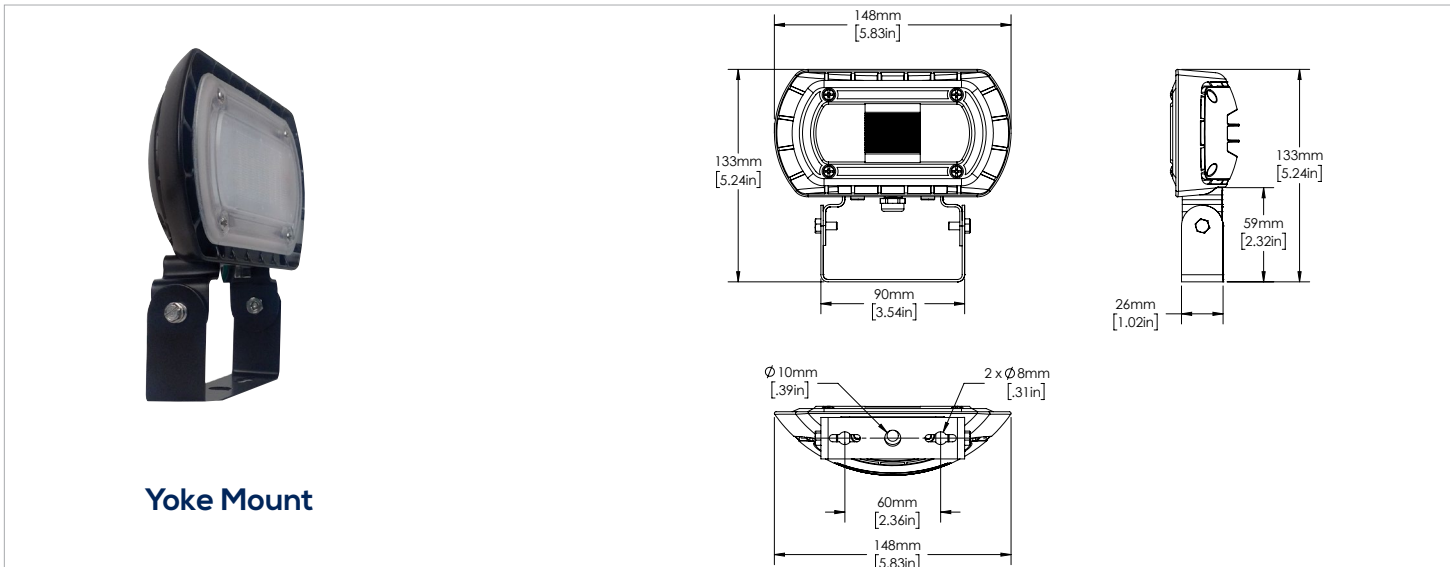
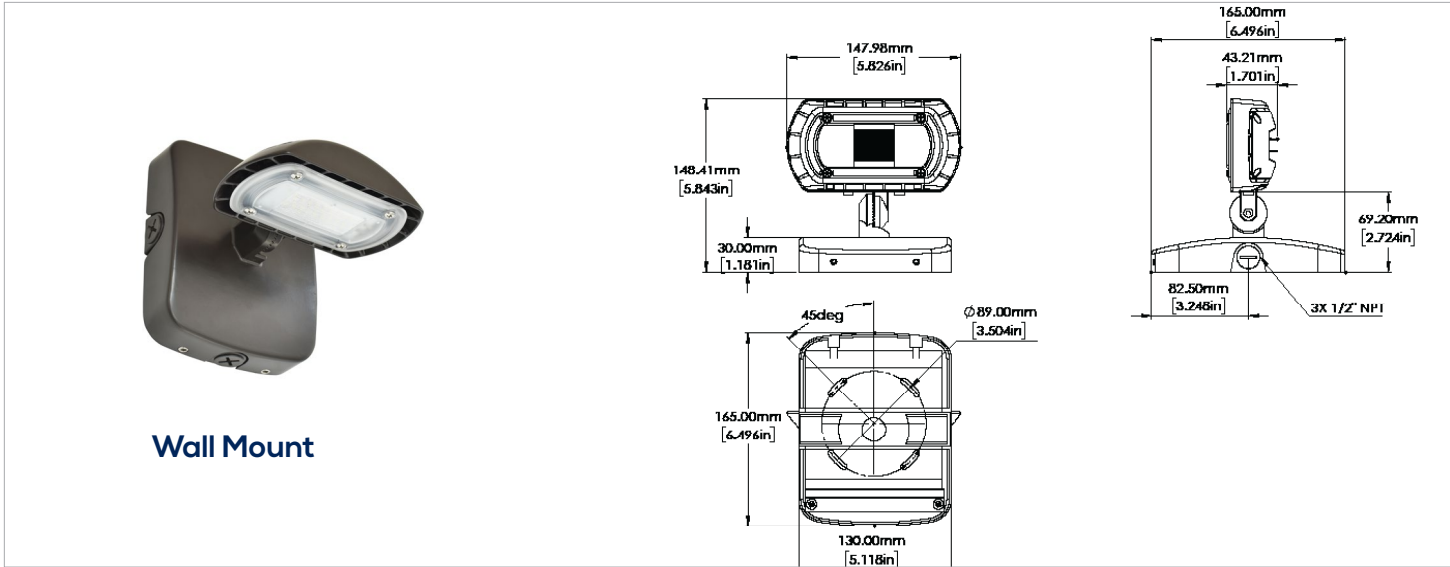
FEATURES

- Elegant, sleek design with a modern look.
- Fixture head may be aimed down for dark sky compliance, or aimed out as needed.
- Three mounting options available – knuckle, yoke and wall mount.

*The above specs apply to the standard product configuration. For spec information on other product configurations please see page 2.

NOTE: Not all of our product configurations are qualified on the DLC QPL. To view all of our DLC qualified products please visit the DLC qualified products list at www.designlights.org/qpl.

DIMENSIONS



ORDERING GUIDE

| ORA1 | | | | | |
|-------------|-----------------|--------------|---------------|--|--|
| WATTS | VOLTAGE | COLOUR TEMP. | FINISH | MOUNTING | |
| LED15 | B - 120 - 277V* | 4K - 4000K* | BRZ - BRONZE* | KN-Knuckle | |
| | | | | YK - Yoke | |
| | | | | WMC - Wall Mount with 3 conduit entries | |

* Standard configuration

FIELD INSTALLED ACCESSORIES

CHECK THE ACCESSORIES YOU WISH TO ORDER:

ORA1/2 WALL MOUNT with 3 Conduit Entries Bronze

ORA1/2 Architectural Wall Mount Bracket without
conduit entries Bronze