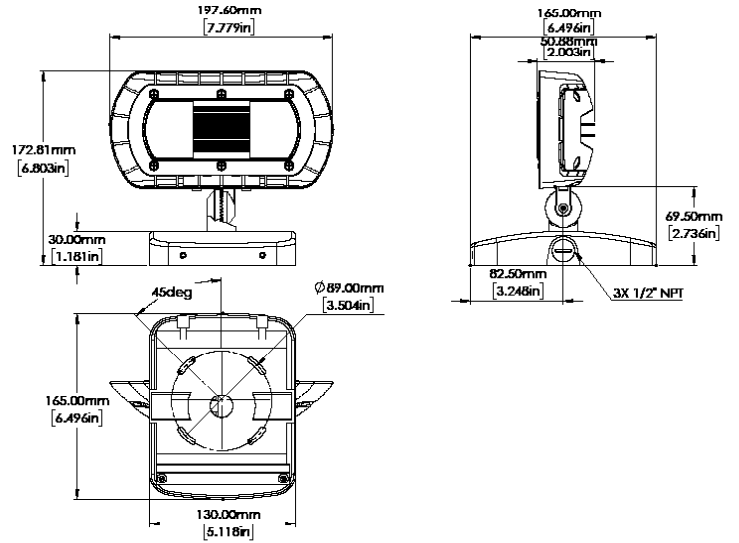


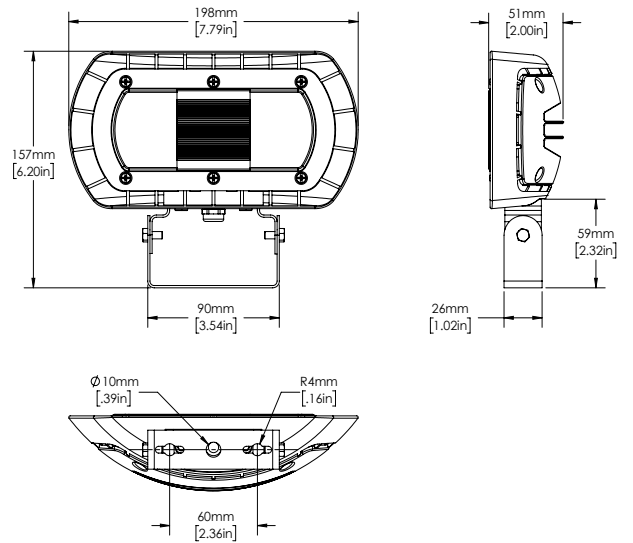
DIMENSIONS



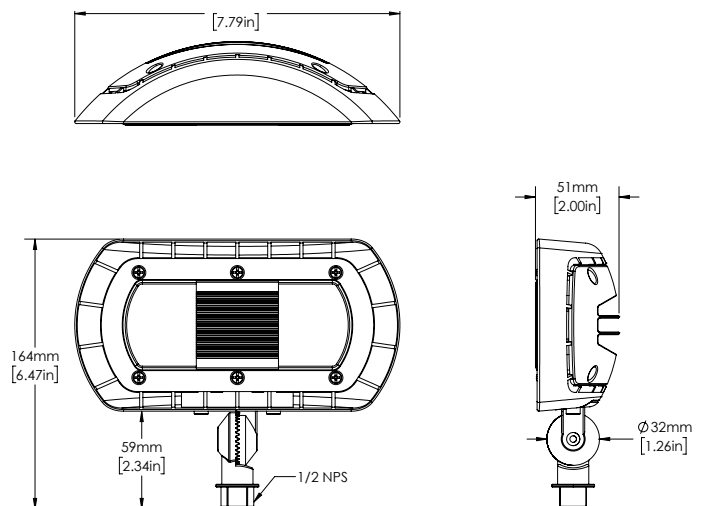
Wall Mount



Yoke Mount



Knuckle Mount



SPECIFICATIONS

SPECIFICATIONS	VOLTAGE(V)	INPUT POWER (W)	LIGHT OUTPUT	EFFICACY (Lm/W)	THD (%)	PF
ORA2-LED30-B-4K-XXX-XX	120-277	30.08	3358.6	111.66	18.57	0.9817

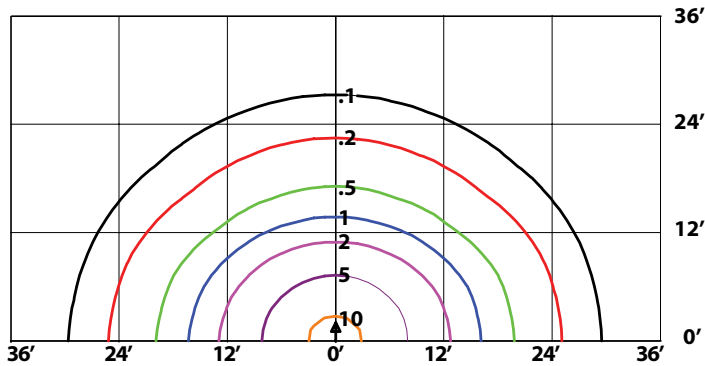
DLC listed as Outdoor Full-Cutoff Wall-Mounted Area Luminaire and as Architectural Flood and Spot Luminaires

Legend

- B - 120-277V
- 4K - 4000K
- XXX- Finish
- XX- Mounting

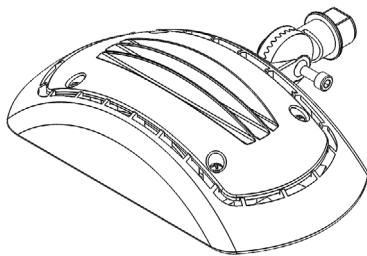
PHOTOMETRICS

ORA2-LED30 4K MOUNTED AT 12 FEET - WALL MOUNT ORIENTATION



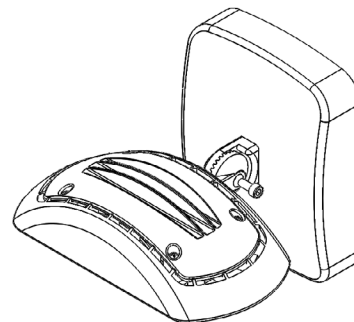
ARCHITECTURAL WALL MOUNT

For architectural wall mount version order ORA knuckle mount with architectural backbox separately



Step One

Remove screw from knuckle mount



Step Two

Mount on bracket with wiring and tighten screw

ORDERING GUIDE

ORA2					
WATTS	VOLTAGE	COLOUR TEMP.	FINISH	MOUNTING	
LED30	B - 120 - 277V*	4K - 4000K*	BRZ - BRONZE*	KN-Knuckle	
				YK - Yoke	
				WMC - Wall Mount with 3 conduit entries	

* Standard configuration

FIELD INSTALLED ACCESSORIES

CHECK THE ACCESSORIES YOU WISH TO ORDER:

ORA1/2 WALL MOUNT with 3 Conduit Entries Bronze

ORA1/2 Architectural Wall Mount Bracket without
conduit entries Bronze