



# MR16/GU10/PAR16

## 7MR16/LED/F25/830/DIM AF2 10/1

Philips MR16 Dimmable LED Lamps provide ambient level light to illuminate hard to maintain applications. Increased transformer compatibility allows for operation on a wider range of transformers. Available in dimmable and non-dimmable versions, these lamps are ideal for track and open recessed fixtures in retail, hospitality and residential spaces.

### Product data

General Information	
Cap-Base	GU5.3 [ GU5.3]
Nominal Lifetime (Nom)	25000 h
Switching Cycle	50000X
Technical Type	7-50W
Light Technical	
Color Code	930 [ CCT of 3000K]
Beam Angle (Nom)	25 °
Light Distribution	Medium beam 25°
Luminous Flux (Nom)	500 lm
Luminous Flux (Rated) (Nom)	500 lm
Luminous Intensity (Nom)	2500 cd
Color Designation	White (WH)
Rated Beam Angle	25 °
Correlated Color Temperature (Nom)	3000 K
Luminous Efficacy (rated) (Nom)	71 lm/W
Color Consistency	<6
Color Rendering Index (Nom)	90
LLMF At End Of Nominal Lifetime (Nom)	70 %
Luminous Flux in 90° Cone (Rated)	500 lm

Operating and Electrical	
Power (Rated) (Nom)	7 W
Lamp Current (Nom)	720 mA
Wattage Equivalent	50 W
Starting Time (Nom)	0.5 s
Warm Up Time to 60% Light (Nom)	1 s
Power Factor (Nom)	0.7
Voltage (Nom)	12 V
Temperature	
T-Case Maximum (Nom)	92 °C
Controls and Dimming	
Dimmable	Yes
Approval and Application	
Energy Efficiency Label (EEL)	Not applicable
Energy Saving Product	Yes
Suitable For Accent Lighting	Yes
Energy Consumption kWh/1000 h	8 kWh

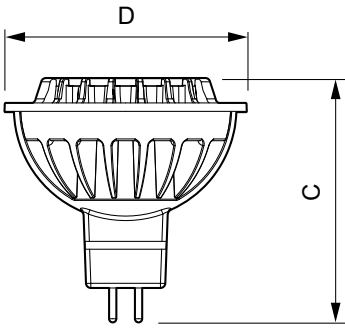
# MR16/GU10/PAR16

## Product Data

Order product name	7MR16/LED/F25/830/DIM AF2 10/1
EAN/UPC - Product	046677461560
Order code	929001152934
Numerator - Quantity Per Pack	1

Numerator - Packs per outer box	10
Material Nr. (12NC)	929001152934
Net Weight (Piece)	0.045 kg

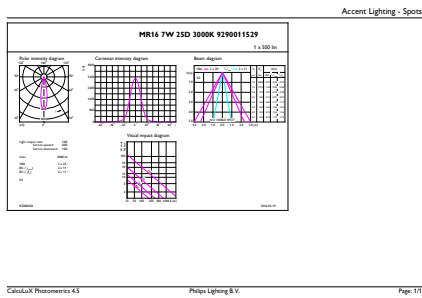
## Dimensional drawing



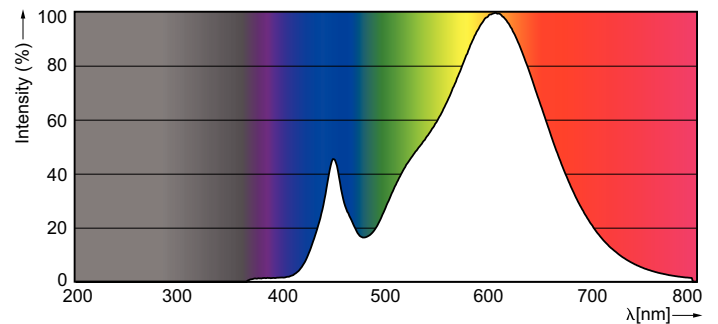
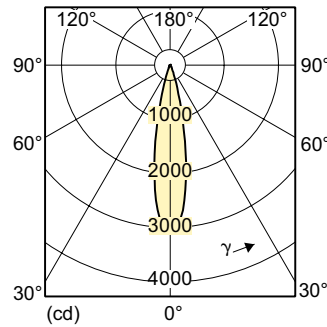
LED D 7-35W 830 MR16 24D

Product	D	C
7MR16/LED/F25/830/DIM AF2 10/1	51 mm	51 mm

## Photometric data



LEDspot 7-50W MR16 GU5.3 3000K 440lm 24D



8-50 W GU5.3 /830 MR16

