

## SKINTOP® MS-M/MSR-M

## Nickel-Plated Brass Strain Relief with Metric Thread

## Similar Products

- SKINTOP® MS-SC

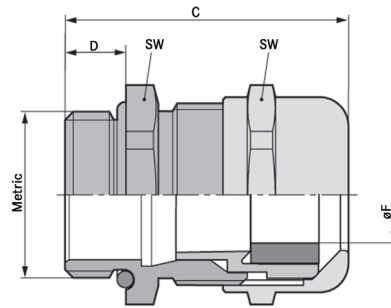
## Complete the Installation



SKINTOP® DIX  
Bushing:  
page 548



Plugs:  
page 550



SKINTOP® MS/MSR is a superior quality, liquid-tight, metallic cable gland intended for applications where ruggedness and durability are required. These cable glands are suitable for a wide range of applications, from manufacturing machinery to measurement and control equipment, including automation and robotics.

## Application Advantage

- Suitable for use in areas with high demands on special mechanical and chemical stability
- The heavy duty SKINTOP® design provides great pull-out strength and very reliable strain relief
- Extended temperature range due to the nickel-plated brass body
- Generous high-quality neoprene bushing and perbunan O-ring provide a liquid-tight and dust-proof hermetic seal

## Approvals\*



## Technical Data

## Material:

- Body: Nickel-plated brass
- Insert: Polyamide
- Bushing: CR
- O-ring: Perbunan® (NBR)

## Temperature Range:

- Static: -40°C to +100°C
- Dynamic: -30°C to +100°C

## Locknuts:

Add SM-M locknuts, page 545

## IP Protection:

- Seal: 70 PSI  
IP68, 5 bar  
(Exceeds NEMA 6/6P pressure rating)  
IP69K\*\*

| Part Number                            | Thread Type & Size | UL Status  | øF Clamping Range |             | SW Wrenching Flats | C Overall Length | D Thread Length | Standard Pack Size |
|--|--------------------|------------|-------------------|-------------|--------------------|------------------|-----------------|--------------------|
|  |                    |            | (inches)          | (mm)        | (inches)           | (inches)         | (inches)        |                    |
| <b>SKINTOP® MS-M: Standard</b>         |                    |            |                   |             |                    |                  |                 |                    |
| 53112000                               | M12 x 1.5          | Recognized | 0.118 - 0.275     | 3.0 - 7.0   | 0.630              | 1.044            | 0.256           | 100                |
| 53112010                               | M16 x 1.5          | Recognized | 0.177 - 0.394     | 4.5 - 10.0  | 0.788              | 1.260            | 0.275           | 100                |
| 53112020                               | M20 x 1.5          | Listed     | 0.275 - 0.512     | 7.0 - 13.0  | 0.945              | 1.398            | 0.315           | 50                 |
| 53112030                               | M25 x 1.5          | Listed     | 0.354 - 0.669     | 9.0 - 17.0  | 1.142              | 1.477            | 0.315           | 25                 |
| 53112040                               | M32 x 1.5          | Listed     | 0.433 - 0.827     | 11.0 - 21.0 | 1.418              | 1.662            | 0.354           | 25                 |
| 53112050                               | M40 x 1.5          | Listed     | 0.748 - 1.103     | 19.0 - 28.0 | 1.773              | 1.950            | 0.354           | 10                 |
| 53112060                               | M50 x 1.5          | Listed     | 1.063 - 1.379     | 27.0 - 35.0 | 2.127              | 2.048            | 0.394           | 5                  |
| 53112070                               | M63 x 1.5          | Listed     | 1.339 - 1.773     | 34.0 - 45.0 | 2.639              | 2.415            | 0.591           | 5                  |
| 53112080                               | M63 x 1.5, plus    | Listed     | 1.733 - 2.167     | 44.0 - 55.0 | 2.955              | 2.580            | 0.591           | 5                  |
| 53112510                               | M75 x 1.5          | Listed     | 2.285 - 2.679     | 58.0 - 68.0 | 3.743              | 4.137            | 0.591           | 1                  |
| 53112512                               | M90 x 2.0          | Listed     | 2.600 - 3.073     | 66.0 - 78.0 | 4.531              | 5.358            | 0.788           | 1                  |
| 53112514                               | M110 x 2.0         | Listed     | 3.388 - 3.861     | 86.0 - 98.0 | 5.319              | 6.067            | 0.985           | 1                  |
| <b>SKINTOP® MSR-M: Reducer Bushing</b> |                    |            |                   |             |                    |                  |                 |                    |
| 53112100                               | M12 x 1.5          | Recognized | 0.039 - 0.197     | 1.0 - 5.0   | 0.630              | 1.044            | 0.256           | 100                |
| 53112110                               | M16 x 1.5          | Recognized | 0.078 - 0.275     | 2.0 - 7.0   | 0.788              | 1.260            | 0.275           | 100                |
| 53112120                               | M20 x 1.5          | Listed     | 0.197 - 0.394     | 5.0 - 10.0  | 0.945              | 1.398            | 0.315           | 50                 |
| 53112130                               | M25 x 1.5          | Listed     | 0.236 - 0.512     | 6.0 - 13.0  | 1.142              | 1.477            | 0.315           | 25                 |
| 53112140                               | M32 x 1.5          | Listed     | 0.275 - 0.591     | 7.0 - 15.0  | 1.418              | 1.662            | 0.354           | 25                 |
| 53112150                               | M40 x 1.5          | Listed     | 0.591 - 0.906     | 15.0 - 23.0 | 1.773              | 1.950            | 0.354           | 10                 |
| 53112160                               | M50 x 1.5          | Listed     | 0.866 - 1.142     | 22.0 - 29.0 | 2.127              | 2.048            | 0.394           | 5                  |
| 53112170                               | M63 x 1.5          | Listed     | 1.103 - 1.536     | 28.0 - 39.0 | 2.639              | 2.415            | 0.591           | 5                  |
| 53112511                               | M75 x 1.5          | Listed     | 2.088 - 2.482     | 53.0 - 63.0 | 3.743              | 4.137            | 0.591           | 1                  |
| 53112515                               | M110 x 2.0         | Listed     | 2.994 - 3.467     | 76.0 - 88.0 | 5.319              | 6.067            | 0.985           | 1                  |

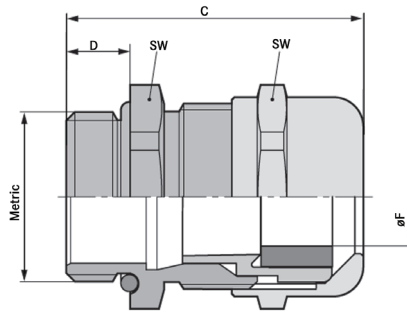
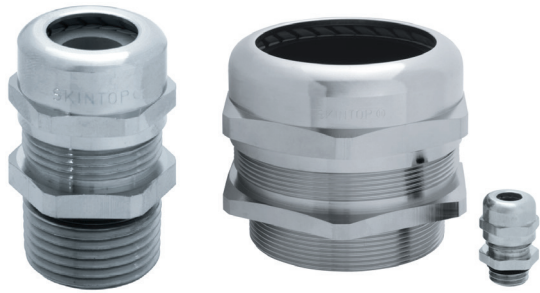
\* DNV pending for size M75; UL, CSA, DNV & VDE pending for sizes M90 & M110.

\*\* IP69K pending for sizes M75, M90 & M110

Perbunan® is a registered trademark of BAYER AG. Photographs are not to scale and are not true representations of the products in question. For current information go to our website. If not otherwise specified, all values relating to the product are nominal values.

# SKINTOP® MS-M-XL/MSR-M-XL

Nickel-Plated Brass Strain Relief with Extended Metric Thread



**Similar Products**

- SKINTOP® MS-M/MSR-M

**Complete the Installation**

SKINTOP® DIX Bushing: page 548

Plugs: page 550

SKINTOP® MS-M-XL/MSR-M-XL is a superior quality, liquid-tight, metallic cable gland intended for applications where ruggedness, durability, and long threads are required.

### Application Advantage

- Ideal for heavy wall applications or for use with locknuts where tapped holes cannot be provided
- Suitable for use in areas with high demands on special mechanical and chemical stability
- The heavy duty SKINTOP® design provides great pull-out strength and very reliable strain relief
- Extended temperature range due to the nickel-plated brass body
- Generous high-quality neoprene bushing and perbunan O-ring provide a liquid-tight and dust-proof hermetic seal

### Approvals



### Technical Data

|                  |                             |                           |  |
|------------------|-----------------------------|---------------------------|--|
| <b>Material:</b> | Nickel-plated brass         | <b>Temperature Range:</b> | -40°C to +100°C  |
| - Body:          | Nickel-plated brass         | - Static:                 | -40°C to +100°C  |
| - Insert:        | Polyamide                   | - Dynamic:                | -30°C to +100°C  |
| - Bushing:       | CR                          | <b>IP Protection:</b>     | 70 PSI   |
| - O-ring:        | Perbunan® (NBR)             | - Seal:                   | IP68, 10 bar<br>(Exceeds NEMA 6/6P pressure rating)<br>IP69K |
| <b>Locknuts:</b> | Add SM-M locknuts, page 545 |                           |  |

| Part Number                               | Thread Type & Size | øF Clamping Range (inches) | øF Clamping Range (mm) | SW Wrenching Flats (inches) | C Overall Length (inches) | D Thread Length (inches) | Standard Pack Size |
|---|--------------------|----------------------------|------------------------|-----------------------------|---------------------------|--------------------------|--------------------|
| <b>SKINTOP® MS-M-XL: Standard</b>         |                    |                            |                        |                             |                           |                          |                    |
| 53112005                                  | M12 x 1.5          | 0.118 - 0.275              | 3.0 - 7.0              | 0.630                       | 1.292                     | 0.472                    | 100                |
| 53112015                                  | M16 x 1.5          | 0.177 - 0.394              | 4.5 - 10.0             | 0.788                       | 1.457                     | 0.472                    | 50                 |
| 53112025                                  | M20 x 1.5          | 0.275 - 0.512              | 7.0 - 13.0             | 0.945                       | 1.556                     | 0.472                    | 50                 |
| 53112035                                  | M25 x 1.5          | 0.354 - 0.669              | 9.0 - 17.0             | 1.142                       | 1.635                     | 0.472                    | 25                 |
| 53112045                                  | M32 x 1.5          | 0.433 - 0.827              | 11.0 - 21.0            | 1.418                       | 1.899                     | 0.591                    | 25                 |
| 53112055                                  | M40 x 1.5          | 0.748 - 1.103              | 19.0 - 28.0            | 1.773                       | 2.107                     | 0.591                    | 10                 |
| 53112065                                  | M50 x 1.5          | 1.063 - 1.379              | 27.0 - 35.0            | 2.127                       | 2.245                     | 0.591                    | 5                  |
| <b>SKINTOP® MSR-M-XL: Reducer Bushing</b> |                    |                            |                        |                             |                           |                          |                    |
| 53112105                                  | M12 x 1.5          | 0.039 - 0.197              | 1.0 - 5.0              | 0.630                       | 1.292                     | 0.472                    | 100                |
| 53112115                                  | M16 x 1.5          | 0.078 - 0.275              | 2.0 - 7.0              | 0.788                       | 1.457                     | 0.472                    | 50                 |
| 53112125                                  | M20 x 1.5          | 0.197 - 0.394              | 5.0 - 10.0             | 0.945                       | 1.556                     | 0.472                    | 50                 |
| 53112135                                  | M25 x 1.5          | 0.236 - 0.512              | 6.0 - 13.0             | 1.142                       | 1.635                     | 0.472                    | 25                 |
| 53112145                                  | M32 x 1.5          | 0.275 - 0.591              | 7.0 - 15.0             | 1.418                       | 1.899                     | 0.591                    | 25                 |
| 53112155                                  | M40 x 1.5          | 0.591 - 0.906              | 15.0 - 23.0            | 1.773                       | 2.107                     | 0.591                    | 10                 |
| 53112165                                  | M50 x 1.5          | 0.866 - 1.142              | 22.0 - 29.0            | 2.127                       | 2.245                     | 0.591                    | 5                  |

Perbunan® is a registered trademark of BAYER AG. Photographs are not to scale and are not true representations of the products in question. For current information go to our website. If not otherwise specified, all values relating to the product are nominal values.